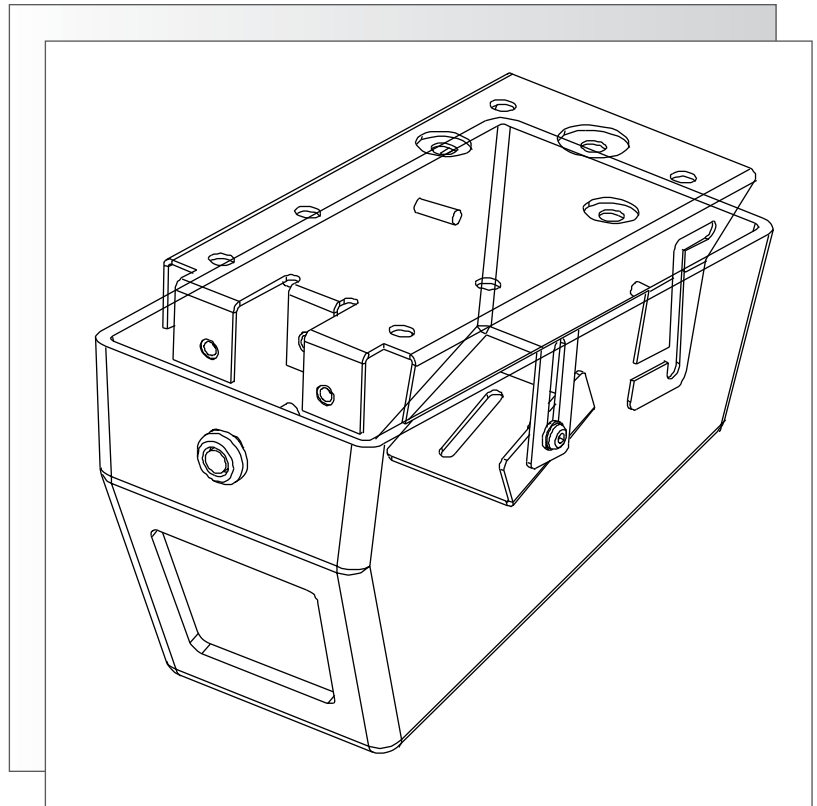



WALL/CEILING SECURITY HOUSINGS



HS9405 SERIES

IMPORTANT SAFEGUARDS



1. Read Instructions - All the safety and operating instructions should be read before the unit is operated.
 2. Retain Instructions - The safety and operating instructions should be retained for future reference.
 3. Heed Warnings - All warnings on the unit and in the operating instructions should be adhered to.
 4. Follow Instructions - All operating and use instructions should be followed.
 5. Cleaning - Unplug the unit from the outlet before cleaning. Do not use liquid cleaners or aerosol cleaners. Use a damp cloth for cleaning.
 6. Attachments - Do not use attachments not recommended by the product manufacturer as they may cause hazards.
 7. Accessories - Do not place this unit on an unstable stand, tripod, bracket, or mount. The unit may fall, causing serious injury to a person and serious damage to the unit. Use only with a stand, tripod, bracket, or mount recommended by the manufacturer or sold with the product. Any mounting of the unit should follow the manufacturer's instructions and should use a mounting accessory recommended by the manufacturer.
- 


An appliance and cart combination should be moved with care. Quick stops, excessive force, and uneven surfaces may cause the appliance and cart combination to overturn.
8. Ventilation - Openings in the enclosure, if any, are provided for ventilation, to ensure reliable operation of the unit, and to protect it from overheating. These openings must not be blocked or covered. This unit should not be placed in a built-in installation unless proper ventilation is provided or the manufacturer's instructions have been adhered to.
 9. Power Sources - This unit should be operated only from the type of power source indicated on the marking label. If you are not sure of the type of power supply you plan to use, consult your appliance dealer or local power company. For units intended to operate from battery power or other sources, refer to the operating instructions.
 10. Grounding or Polarization - This unit may be equipped with a polarized alternating-current line plug (a plug having one blade wider than the other). This plug will fit into the power outlet only one way. This is a safety feature. If you are unable to insert the plug fully into the outlet, try reversing the plug. If the plug should still fail to fit, contact your electrician to replace your obsolete outlet. Do not defeat the safety purpose of the polarized plug.
Alternately, this unit may be equipped with a 3-wire grounding-type plug, a plug having a third (grounding) pin. This plug will only fit into a grounding-type power outlet. This is a safety feature. If you are unable to insert the plug into the outlet, contact your electrician to replace your obsolete outlet. Do not defeat the safety purpose of the grounding-type plug.
 11. Power Cord Protection - Power supply cords should be routed so that they are not likely to be walked on or pinched by items placed upon or against them, paying particular attention to cords and plugs, convenience receptacles, and the point


- where they exit from the appliance.
12. Power Lines - An outdoor system should not be located in the vicinity of overhead power lines or other electric light or power circuits or where it can fall into such power lines or circuits. When installing an outdoor system, extreme care should be taken to keep from touching such power lines or circuits as contact with them might be fatal. U.S.A. models only - refer to the National Electrical Code Article 820 regarding installation of CATV systems.
 13. Overloading - Do not overload outlets and extension cords as this can result in a risk of fire or electric shock.
 14. Object and Liquid Entry - Never push objects of any kind into this unit through openings, as they may touch dangerous voltage points or short out parts that could result in a fire or electric shock. Never spill liquid of any kind on the unit.
 15. Servicing - Do not attempt to service this unit yourself as opening or removing covers may expose you to dangerous voltage or other hazards. Refer all servicing to qualified service personnel.
 16. Damage Requiring Service - Unplug the unit from the outlet and refer servicing to qualified service personnel under the following conditions:
 - a. When the power supply cord or plug is damaged.
 - b. If liquid has been spilled or objects have fallen into the unit.
 - c. If the unit has been exposed to rain or water.
 - d. If the unit does not operate normally by following the operating instructions. Adjust only those controls that are covered by the operating instructions, as an improper adjustment of other controls may result in damage and will often require extensive work by a qualified technician to restore the unit to its normal operation.
 - e. If the unit has been dropped or the cabinet has been damaged.
 - f. When the unit exhibits a distinct change in performance--this indicates a need for service.
 17. Replacement Parts - When replacement parts are required, be sure the service technician has used replacement parts specified by the manufacturer or have the same characteristics as the original part. Unauthorized substitutions may result in fire, electric shock, or other hazards.
 18. Safety Check - Upon completion of any service or repairs to this unit, ask the service technician to perform safety checks to determine that the unit is in proper operating condition.
 19. Coax Grounding - If an outside cable system is connected to the unit, be sure the cable system is grounded. U.S.A. models only--Section 810 of the National Electrical Code, ANSI/NFPA No.70-1981, provides information with respect to proper grounding of the mount and supporting structure, grounding of the coax to a discharge unit, size of grounding conductors, location of discharge unit, connection to grounding electrodes, and requirements for the grounding electrode.
 20. Lightning - For added protection of this unit during a lightning storm, or when it is left unattended and unused for long periods of time, unplug it from the wall outlet and disconnect the cable system. This will prevent damage to the unit due to lightning and power line surges.

SAFETY PRECAUTIONS:

This label may appear on the bottom of the unit due to space limitations.


	CAUTION RISK OF ELECTRIC SHOCK. DO NOT OPEN!	
CAUTION: TO REDUCE RISK OF ELECTRICAL SHOCK, DO NOT OPEN COVERS. NO USER SERVICEABLE PARTS INSIDE. REFER SERVICING TO QUALIFIED SERVICE PERSONNEL.		


 The lightning flash with an arrowhead symbol within an equilateral triangle is intended to alert the user to the presence of uninsulated "dangerous voltage" within the product's enclosure that may be of sufficient magnitude to constitute a risk of electric shock to persons.

 The exclamation point within an equilateral triangle is intended to alert the user to presence of important operating and maintenance (servicing) instructions in the literature accompanying the appliance.

SECURITE: En raison de limitation de place, cette étiquette peut être placée sur le dessous de l'appareil.


	ATTENTION RISQUE DE COUTION. NE PAS OUVRIR	
DANGER: POUR ÉVITER TOUT RISQUE D'ÉLECTROCUTION, NE PAS OUVRIR LE BOÎTIER. IL N'Y A PAS DE PIÈCES REMPLAÇABLES À L'INTÉRIEUR. POUR TOUTE RÉVISION, S'ADRESSER À UN TECHNICIEN SPÉCIALISÉ.		


 L'éclair fléché dans un triangle équilatéral, avertit l'utilisateur de la présence d'une "tension dangereuse" non isolée à l'intérieur de l'appareil et d'une valeur suffisante pour constituer un risque d'électrocution.

 Le point d'exclamation contenu dans un triangle équilatéral, avertit l'utilisateur de la présence, dans la documentation qui accompagne l'appareil, de consignes d'utilisation et de maintenance importantes.

SICHERHEITSVORKEHRUNGEN: Aus Platzgründen kann diese Warnung auf der Unterseite des Gerätes angebracht sein.


	VORSICHT STROMSCHLAGEGFAHRI BITTE NICHT ÖFFNEN!	
VORSICHT: UM EINEN ELEKTRISCHEN SCHLAG ZU VERMEIDEN, ABDECKUNG NICHT ENTFERNEN. WARTUNGEN ALLER ART QUALIFIZIERTEM PERSONAL ÜBERLASSEN.		


 Das Blitzsymbol im gleichseitigen Dreieck soll den Benutzer auf nicht isolierte "Hochspannung" im Gehäuse aufmerksam machen, die eventuell stark genug ist, um einen elektrischen Schlag zu verursachen.

 Das Ausrufezeichen im gleichseitigen Dreieck soll den Benutzer auf wichtige Bedienungs- und Wartungsanleitungen in der dem Gerät beigefügten Literatur aufmerksam machen.

PRECAUCIONES DE SEGURIDAD: Debido a limitaciones de espacio, esta etiqueta puede aparecer en la parte inferior de la unidad.

	PRECAUCION RIESGO DE CHOQUE ELÉCTRICO. NO ABRIR!	
PRECAUCION: PARA REDUCIR EL RIESGO DE CHOQUE ELÉCTRICO, FAVOR NO ABRIR LA CUBIERTA. ESTE EQUIPO NO CONSTA DE PIEZAS O PARTES QUE REQUIEREN SERVICIO O MANTENIMIENTO. PARA REPARACIONES FAVOR REFERIRSE A UN TÉCNICO CALIFICADO.		

 El símbolo representado por un relámpago con punta de flecha dentro de un triángulo equilátero, se muestra con el objetivo de alertar al usuario que existen "voltajes peligrosos" sin aislamiento, dentro de la cubierta de la unidad. Dichos voltajes pueden ser de tal magnitud que constituyen un riesgo de choque eléctrico a personas.

 El símbolo de exclamación dentro de un triángulo equilátero, se muestra con el objetivo de alertar al usuario de que instrucciones de operación y mantenimiento importantes acompañan al equipo.

CONTENTS

1	UNPACKING	3
2	SERVICE	3
3	CARE AND MAINTENANCE	3
4	DESCRIPTION	3
5	INSTALLATION	4
5.1	Disassembly	4
5.2	Mounting the Unit	4
5.3	Camera/Lens Installation	5
5.4	Final Assembly	6

1 UNPACKING

Unpack carefully. This is electro-mechanical equipment and should be handled with care.

Check for the following items:

- Model number of unit
- Hardware kit:
 - (I) 1/4 - 20 Button-Head Flange Screw
 - (I) Tamper-resistant Tool (basic models only)
 - (I) Alternate Camera Bracket
 - (I) Key (Locking models only)

If an item appears to have been damaged in shipment, replace it properly in its carton and notify the shipper. If any items are missing, notify Aigis Mechtronics.

The shipping carton is the safest container in which the unit may be transported. Save it for possible future use.

2 SERVICE

If the unit ever needs repair service, the customer should contact Aigis Mechtronics for return authorization and shipping instructions, 1-800-523-6500.

3 CARE AND MAINTENANCE

There are no moving parts in this unit. Regularly scheduled maintenance will help prolong the operation life of this unit. Clean the viewing window as needed with a mild, non-abrasive detergent in water and a soft cloth.

Warning:
To prevent fire or shock hazards, do not expose this unit or power supply to rain or moisture.

4 DESCRIPTION

The HS9405 series are wall or ceiling mounted security housings designed for applications such as prisons, parking garages and hospitals. These housings are ideal for any application requiring secure CCTV monitoring.

HS9405 has an overall size of 279 mm x 165 mm x 140 mm (11 in x 6.5 in x 5.5 in). The LTC 9405 series housings accept camera-lens combinations up to 180 L x 59 W x 68 H mm (7.1 x 2.3 x 2.7 in).

For maximum protection and durability, the light weight cast aluminum design of the HS9405 series housings provide the strength equivalent 10 gage steel with the superior strength to weight ratio of aluminum. The standard viewing window is constructed of 9.5 mm (0.37 in.) clear polycarbonate treated with a scratch-resistant coating. The removable cover provides access to the camera and is secured with a single tamper-resistant and captive screw. During servicing or adjustment of the camera, the cover may be completely removed or (if mounted on a ceiling) it may be left attached to the top panel assembly using the "hinged slots" provided. These housings are designed to be mounted on the ceiling, on the wall horizontally or on the wall vertically.

4.1 Models

Model No.	Feature
HS9405	Clear 9.5 mm (0.37 in) viewing window
HS9405L	Key lock
HS9405T	Tinted 9.5 mm (0.37 in) viewing window
HS9405W	Clear 12.7 mm (0.5 in) viewing window
HS9405LT	Key lock and tinted 9.5 mm (0.37 in) viewing window
HS9405LW	Key lock and clear 12.7 mm (0.5 in) viewing window

5 INSTALLATION



This installation should be made by qualified service personnel and conform to the National Electrical Code and applicable local codes.

Tools Required:

Allenwrench - 5/32 inch
Wrench - 10mm

5.1 Disassembly

1. Remove the hardware kit from the shipping carton.
2. Non-locking models require the use of the special tool (included) to unscrew the tamper-resistant screw on the front of the cover. See figure 1.

Locking models require the use of the key to unscrew the lock on the front of the cover. **See figure 1.**

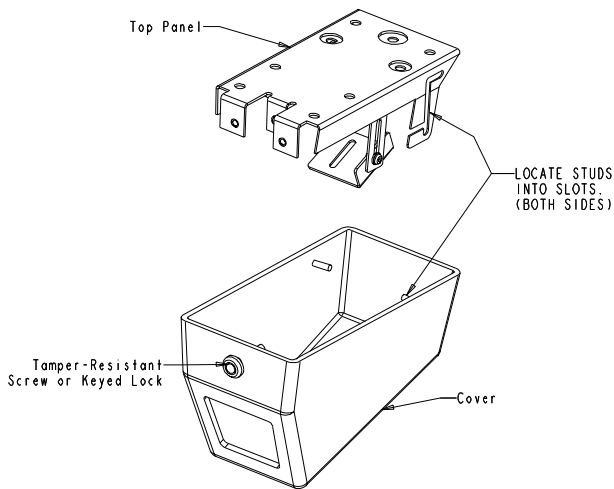


Figure 1: Removing the cover

3. For all models, unscrew the screw or the lock until the front of the cover is free from the top panel.
4. With the unit on a workbench or table, hold the cover stationary. Remove the top panel by grasping it and pulling it rearward, then upward for about 3-1/2 inches (9 mm), and finally rearward again until the slots in the top panel have cleared the studs in the cover.
5. Unscrew the flange nut and remove the camera mount system from the top panel. **See figure 2.** Do not lose the parts, they will be needed to mount the camera and reassemble the unit.

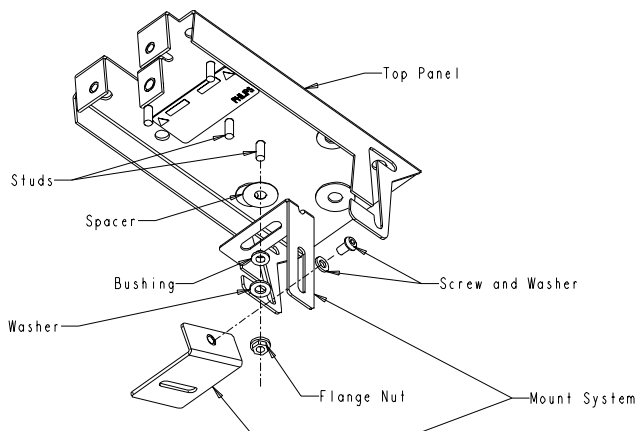


Figure 2: Removing the Mount System

5.2 Mounting the Unit

1. Position the top panel on the ceiling or wall, horizontally or vertically, depending on the installation requirements. See figure 3. A smooth flat surface is ideal for proper installation. Note the minimum space requirements shown in **figure 3.**

WARNING! - Do not use the hinge feature when the unit is mounted on a wall. The cover may fall from the top panel.

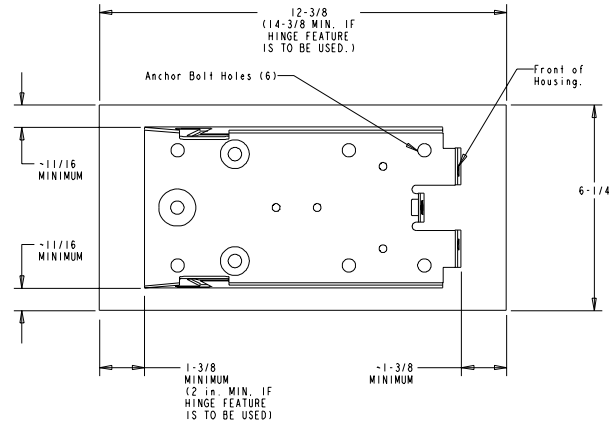


Figure 3: Positioning the Top Panel

2. Mark the anchor bolt locations on the mounting surface using the holes in the top panel as a template. At least four 8-mm (5/16-in.) anchor bolts will be needed. Use of six bolts is recommended.
3. Drill holes and install anchors as required by the type of mounting surface.
4. Decide how the wiring will be routed to the unit. Two knockouts for 3/4 inch conduit and one knockout for 1-1/4 inch conduit are provided. **See figure 4.**

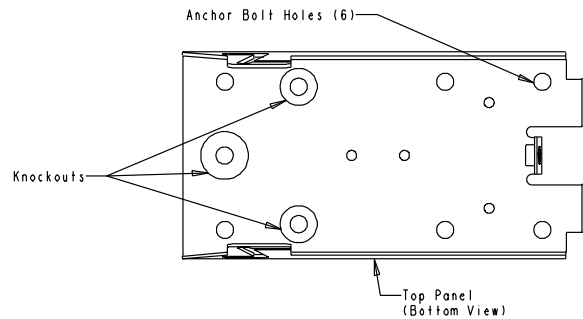


Figure 4: Bolt Holes and Knockouts

5. Mount the top panel using the bolts and route the wiring.

5.3 Camera/Lens Installation

1. If the installation requires that the camera be mounted horizontally to a wall, remove the camera bracket from the mounting system and install the alternate camera bracket provided in the hardware kit. **See figure 5.**

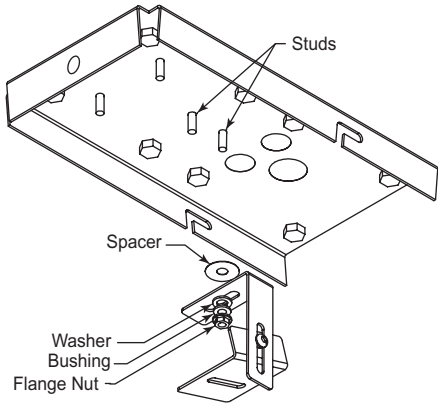


Figure 5: Alternate Camera Mount

2. Reattach the camera mounting system to the top panel using the same hardware that was removed in step 5 of section 5.1. Use either of the two studs near the center of the panel, depending on the camera / lens size. **See figures 6 and 7.**

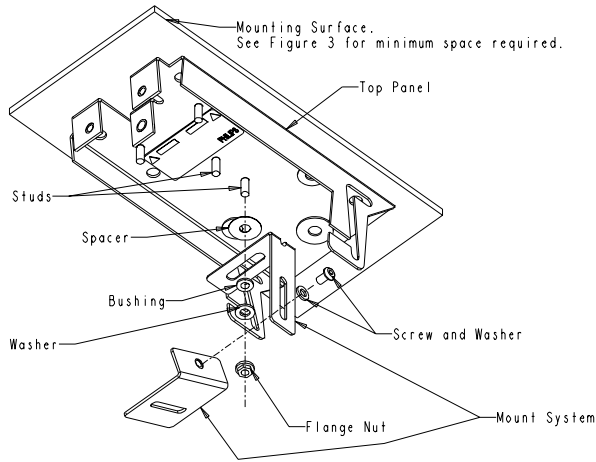


Figure 6: Installing the Mount System

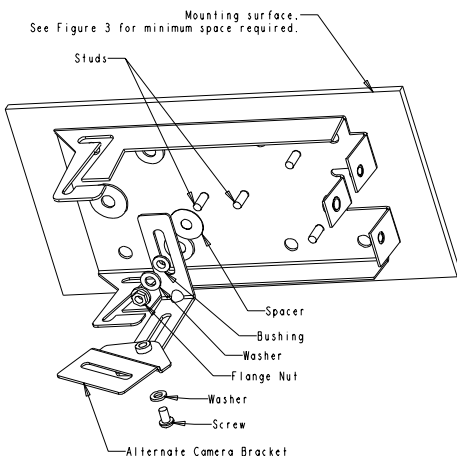


Figure 7: Securing the Mount System with Alternate Bracket

3. Secure the camera to the mount using the $\frac{1}{2}$ x $\frac{1}{4}$ inch button-head flange screw provided in the hardware kit. **See figures 8, 9 and 10.**

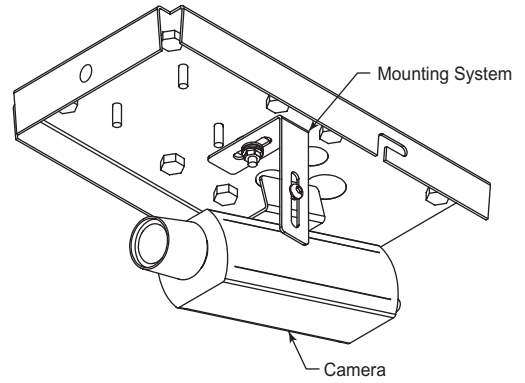


Figure 8: Camera Mounts

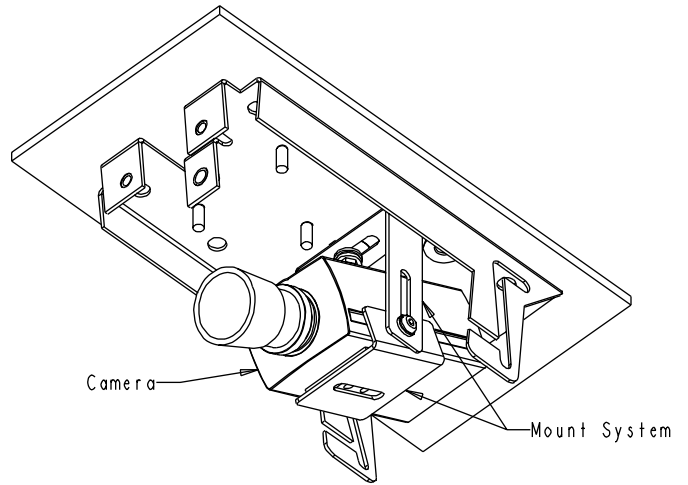


Figure 9: Camera and Mount System

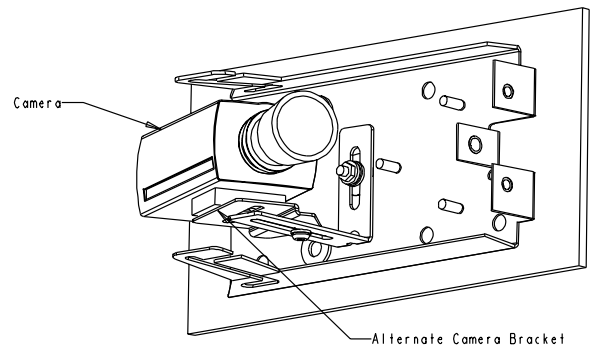


Figure 10: Camera Mounted with Alternate Bracket to a Wall

5.4 Final Assembly

1. Mount the cover by aligning the two studs near the rear of the cover with the openings of the z-shaped slots in the top panel. Slide the cover to the rear, then upward and finally to the rear again. See figure 11.

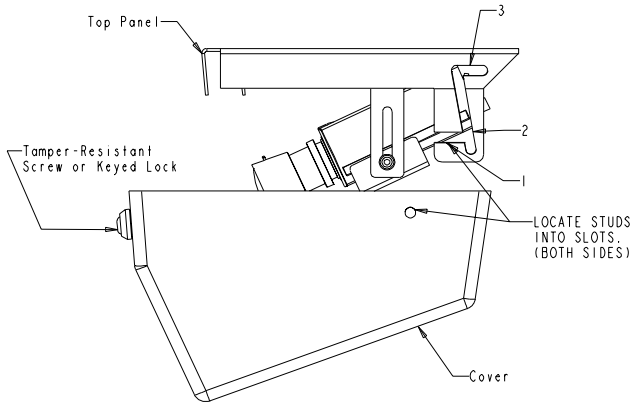


Figure 11: Installing the Cover

2. Inspect the alignment of the camera / lens in the unit. The camera / lens should be placed as close to the viewing window as possible. Remove the cover and make adjustments as needed and then replace the cover.
3. Secure the cover by turning either the tamper-resistant screw (using the drive tool supplied) or the keyed lock (using the key supplied) counter-clockwise until the cover is in tight contact with the top panel.

Note: Save the drive tool or the key for future use.

4. For installations where the unit is mounted to the ceiling, the top cover may be hinged open for servicing or adjusting the camera / lens. Simply allow the two studs in the rear of the cover to rest in the bottom of the z-slots in the top panel.

WARNING! – Do not use the hinge feature when the unit is mounted to a wall, the cover may fall from the top panel.

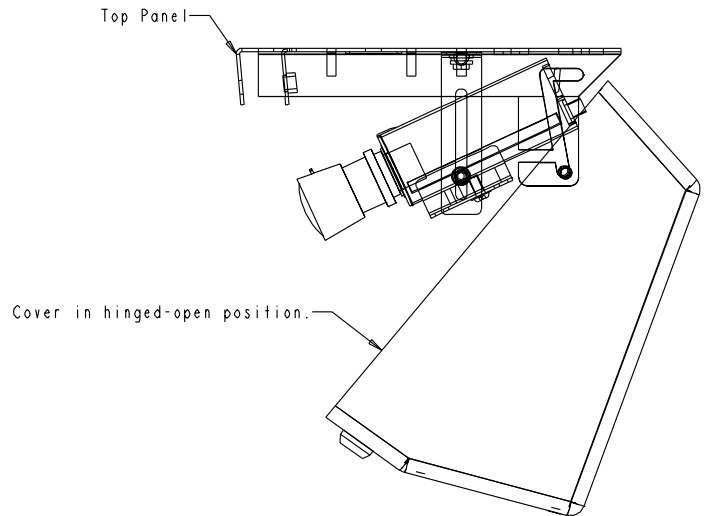


Figure 12: Cover Hinged Open



mechtronics

©2002 Aigis Mechtronics

1124 Louise Road, Winston-Salem, NC 27107-5450

Tel: 336.785.7740 Fax: 336.785.7744

Data subject to change without notice

100 0034 001 AIG 10/02

Printed in U.S.A.