

Solid State Control

MGH Series

GEARHEAD JACKSHAFT OPERATOR WITH CHAIN HOIST

Special-Duty Commercial Operator

CUSTOMER _____

PROJECT _____

ARCHITECT/ENGINEER _____

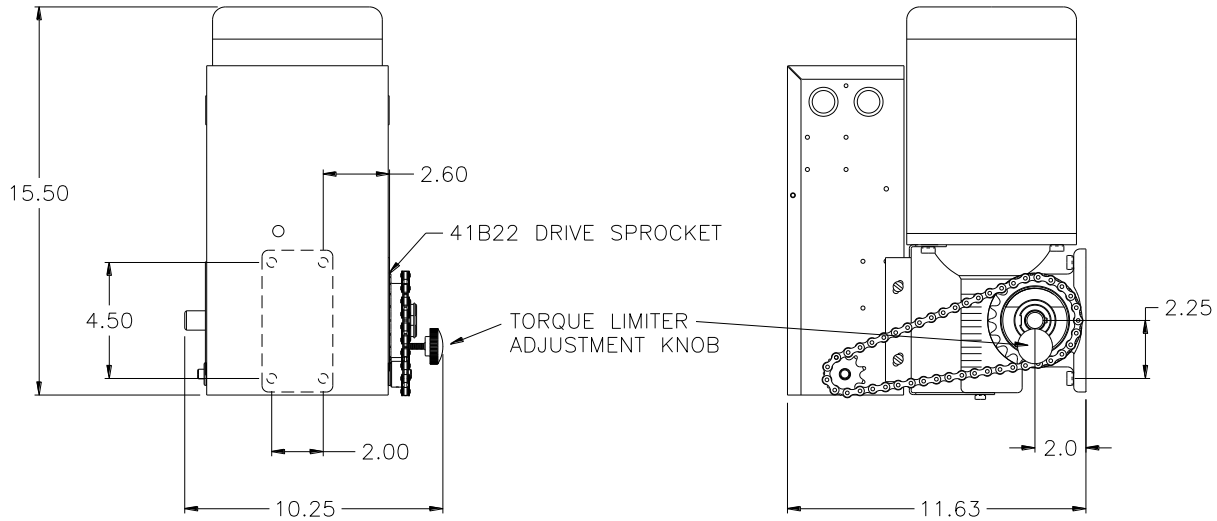
CONTRACTOR _____

DRAWING NUMBER _____

DATE _____

SHEET _____

OF _____



ORDERING INFORMATION:

SUPPLY _____ **LINEAR OPERATOR(S) MODEL MGH** _____ **S** _____

WITH A MOTOR RATING OF _____ HP, _____ VOLTS, _____ PHASE, _____ HERTZ

FOR A _____ WIDE X _____ HIGH DOOR(S) WITH _____

SUPPLY _____ OPEN-CLOSE-STOP CONTROL STATION(S) IN NEMA _____ ENCLOSURE PER OPERATOR

_____ DRIVE SPROCKET _____ DOOR SPROCKET

AUXILIARY AND OPTIONAL EQUIPMENT AS SPECIFIED BELOW OR ON ATTACHED SHEET:

ARCHITECTURAL SPECIFICATIONS (HOIST):

Electric door operator(s) shall be Solid State Control Model MGH of the jackshaft gearhead type, manufactured by Linear LLC and Underwriters Laboratory (UL) listed. Horsepower, voltage and phase will be as required to properly operate the door. Operators will be equipped with two-stage speed reduction (Gear in oil bath primary and roller chain and sprocket secondary) and an adjustable torque limiter (adjustment made at the power head level). The torque limiter can be adjusted to provided for mechanical disengagement to allow for manual door operation. The operator will be equipped with an integral limit system that provides accurate settings to control the open and close positions of the door and will not be affected by manual door operation or motor removal. The motor and operator will be protected against overload by a thermal protector. The operator will have a 24VAC secondary solid state control circuit with advanced switch selectable features, motor load delivered via high amperage, inductive load rated relays. The operator will have provisions for connecting open-close-stop pushbutton stations, radio controls, and external obstruction sensing (reversing) systems. Operator will drive the door at a speed of approximately 11 inches per second.

NOTES:

REFER TO PRODUCT DATA SHEET FOR GENERAL INFORMATION

REFER TO DRAWING _____ FOR WIRING DIAGRAM

LINEAR LLC
1950 Camino Vida Roble Ste. 150
Carlsbad, CA 92008

Phone 800-421-1587
Fax 800-468-1340
Website www.linearcorp.com



AUXILIARY AND OPTIONAL EQUIPMENT

CUSTOMER

PROJECT

ARCHITECT/ENGINEER

CONTRACTOR

DRAWING NUMBER

DATE

SHEET

OF

LINEAR LLC
1950 Camino Vida Roble Ste. 150
Carlsbad, CA 92008

Phone 800-421-1587
Fax 800-468-1340
Website www.linearcorp.com

