

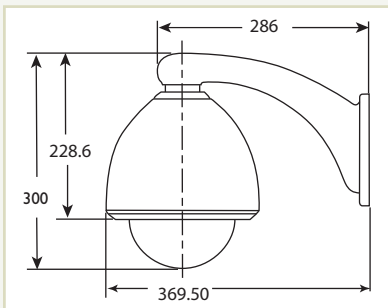
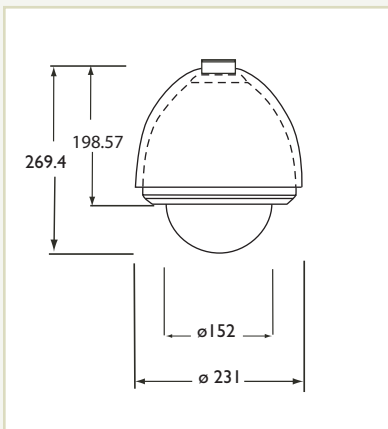


- Day/Night
- Supports Most Major Codes & Protocols
- Quick Connect PTZ Module for Fast Installation
- 128 Presets with Editable Titles
- Wide Range of Zoom Lens Options
- Built-in Alarm - 7 inputs, 2 outputs
- Indoor and Outdoor (IP66) Versions

Pan / Tilt / Zoom Camera PTZA6- Series

The Aigis PTZ-A series high speed pan/tilt/zoom camera combines high quality imaging with smooth, reliable operation. The PTZ-A is compatible with most industry control and switching systems. Other features include 126 presets with tour mode, cruise tours, pattern tours, multiple alarm input and outputs and privacy masking. Additionally the PTZA6- series offers a variety of quality mounting options designed to work in a wide range of applications.

Specifications



PTZA6- SERIES	
Manual speed	Pan (0.4° ~ 320°/sec)
Preset speed	Tilt (0.4° ~ 150°/sec)
Preset speed	420°/sec
Range of Motion	Continuous 360° Horizontal; 0 ~ 180° Tilt with Auto-Flip at 90°
Speed Adjustment	Manual Pan/Tilt speed auto-adjusts to focal length
Presets	128 presets with user-defined titles, 4 Patterns, 4 Preset Tour
Scan	4 available scans with 355° programmable range
Display Zones	8 user-defined zones with titles
Alarm Function	7 alarm inputs, 2 alarm outputs
Sync Mode	Internal Sync
Decoder	Built-in
Video Output	Female BNC, 75Ω, 1.0±0.2Vp_p
Remote Control Protocol	RS485/422 BUS, Manchester, Bi-Phase, Coaxial Video Control
Baud Rate (RS485)	2400 / 4800 / 9600 / 19200 bps
ID Range	1 ~ 254
Temperature	Indoor Units -10° C ~ +60°C (+14°F ~ +140°F)
	Outdoor Units -40°C ~ +60°C (-40°F ~ +140°F)
Humidity	0~95% RH (Non-condensing)
Environmental	IP66, both Indoor and Outdoor (no heater or Sunshield in Outdoor)
Power Requirements	24VAC ± 4V, Indoor 10W, Outdoor 50W
Dimensions	Pendant Version: ø231mm x 271mm(H) (ø9.09in x 10.67in(H))
	Recessed Version: ø245mm x 252mm(H) (ø9.65in x 9.92in(H))
Net Weight	Pendant Version: 6.5kg (14.3lbs) Wall Arm: 1.0kg (2.2lbs)
	Recessed Version: 3.3kg (7.28lbs)

Camera Specifications	18S	23H	26S	30H	35H	36S	18H
Signal System	NTSC						
Imaging Element	1/4" Sony Exview HAD CCD						1/3" CCD
Scanning System	2:1 Interlacing						
Effective Pixels	752 (H) x 582 (V)						1280(H) x 960(V)
Scan Frequency	Pan 15.625KHz / Tilt 50Hz						
Resolution	480TVL	540TVL	480TVL	520TVL	520TVL	530TVL	800TVL
Min. Illumination (Color)	0.7 Lux	0.05 Lux	0.7 Lux	0.05 Lux	0.025 Lux	0.7 Lux	1.8 Lux
Min. Illumination (B/W)	0.01 Lux						0.02 Lux
Zoom (Optical)	18X	23X	26X	30X	35X	36X	18X
Zoom (Digital)	12X						
Lens Focal Range (mm)	4.1 - 73.8	3.6 - 82.8	3.5 - 91	3.4 - 102	3.4 - 119	3.4 - 122	4.7 - 84.6
Angle of View (W / T)	48.0° / 2.8°	57.0° / 2.5°	54.2° / 2.2°	55.5° / 2.0°	55.8° / 1.7°	57.8° / 1.7°	55.2° / 3.2°
Iris	Auto / Manual						
Focus	Auto / Manual						
White Balance	Auto / Manual (R/B gain adjustable)						
BLC	Off / Auto						
S/N Ratio	> 50dB						
Electronic Shutter	1/1~1/10,000s	1/1.5~1/30,000s	1/1~1/10,000s	1/1.5~1/30,000s	1/2~1/30,000s	1/1~1/10,000s	1/4~1/10,000s
Video Output	1.0 ± 0.2Vp_p						Digital
Video Connector	Female BNC						Digital
Wide Dynamic Range	No	Yes	No	Yes	Yes	Yes	No
Privacy Masking Zones	24	8	24	8	24	24	8

ORDERING GUIDE

Order the camera that meets your needs. Start with the product category, then specify your camera requirements. Select from the options available to complete your custom unit. If you need further customization - call the factory with your exact specification requirements.

model	environment	mount	zoom*
PTZA6-			
Aigis Pan/Tilt/Zoom Dome	1- Indoor 2- Outdoor	W - Wall Mount P - Pendant R - Recessed (Indoor)	18S, 18H, 23H, 26S, 30H, 36S, 35H

* See Specifications Table for Zoom Lens and Imager specifications.



©2009 Aigis Mechtronics
1124 Louise Road, Winston-Salem, NC 27107-5450
Tel: 336.785.7740 Fax: 336.785.7744
www.aigismech.com
Data subject to change without notice

12/09
preliminary specifications
Printed in U.S.A.