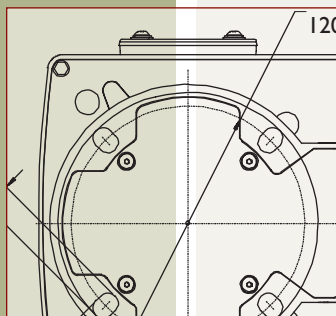
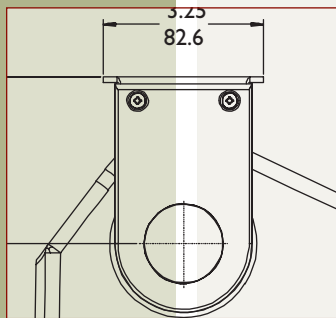
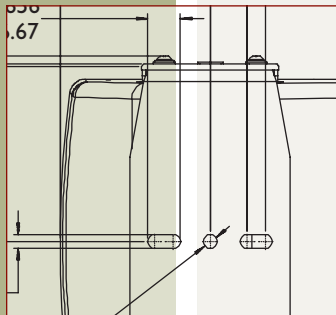




- **Maximum Load - 22 lbs (10 kg)**
- **Smooth Motion, Solid Design**
- **Feed-through Wiring Available**
- **100% Duty Cycle Motors**
- **Upright or Inverted Operation**
- **Pre-position and 360° Models Available**

Medium Duty Weatherproof Pan/Tilts



PT9418, PT9420 Series

The PT9418 and PT9420 Series weatherproof pan/tilts are solid, robust units constructed with corrosion resistant hardware. These devices are built to carry a load of 22 lbs (10 kg) and accurately position camera/housing packages to achieve a desired field of view. The PT9420 Series models feature feed-through wiring for lens and camera power, video and external sync connections.

The 100% duty cycle motors permit continuous operation on all models. Low speed worm drives and flexible motor mounts offer quiet, smooth motion. The use of impedance and overload protected motors, long life limit switches, and permanently lubricated bearings reduce maintenance and provide reliable operation.

SPECIFICATIONS

ELECTRICAL

Model No. ¹	Rated Motor Voltage, Voltage Range
PT9418 SERIES (NON-FEED-THROUGH MODELS)	
Standard Models - 0° to 345°	
PT9418-6	110 VAC, 60 Hz, 108 to 132
PT9418-2	24 VAC, 60 Hz, 21.6 to 26.4
PT9418-1	24 VAC, 50 Hz, 21.6 to 26.4
PT9418-5	220 VAC, 50 Hz, 207 to 253
Pre-position Models - 0° to 345°	
PT9418-6P	110 VAC, 60 Hz, 108 to 132
PT9418-2P	24 VAC, 60 Hz, 21.6 to 26.4
PT9418-1P	24 VAC, 50 Hz, 21.6 to 26.4
PT9418-5P	220 VAC, 50 Hz, 207 to 253
PT9420 SERIES (FEED-THROUGH MODELS)	
Standard Models - 0° to 345°	
PT9420-6	110 VAC, 60 Hz, 108 to 132
PT9420-2	24 VAC, 60 Hz, 21.6 to 26.4
PT9420-1	24 VAC, 50 Hz, 21.6 to 26.4
PT9420-5	220 VAC, 50 Hz, 207 to 253
Pre-position Models - 0° to 345°	
PT9420-6P	110 VAC, 60 Hz, 108 to 132
PT9420-2P	24 VAC, 60 Hz, 21.6 to 26.4
PT9420-1P	24 VAC, 50 Hz, 21.6 to 26.4
PT9420-5P	220 VAC, 50 Hz, 207 to 253
Continuous Pan Models - 0° to 360°	
PT9420-2SL	24 VAC, 60 Hz, 21.6 to 26.4
PT9420-1SL	24 VAC, 50 Hz, 21.6 to 26.4
Continuous Pan Models - 0° to 360° with Pre-position Models	
PT9420-2PSL	24 VAC, 60 Hz, 21.6 to 26.4
PT9420-1PSL	24 VAC, 50 Hz, 21.6 to 26.4

¹ The total power for all models, with both motors running, is **24W**.

Connectors:

PT9418 Series

Power: Via 24-pin connector on base.

Ground: Screw connection for grounding on base.

PT9420 Series

Power: Via 24-pin connector on base through to 3-conductor cable on pan head.

Lens and Accessories: Via 24-pin connector on base through to 10-conductor cable on pan head.

Video: Via BNC connector on base through to flying lead coax on pan head.

Ground: Screw connection for grounding on base.

Recommended Maximum Cable Lengths:

Model Voltage	Wire Size		Distance	
	mm ²	AWG	Feet	Meters
24 VAC	0.5	20	140	43
	1	18	230	70
	1.5	16	360	110
	2.5	14	590	180
	4	12	940	287
110 VAC	0.5	20	2200	671
	1	18	3500	1067
	1.5	16	5500	1677
	2.5	14	9000	2744
220 VAC	0.5	20	13400	4085
	1	18	21200	6463
	1.5	16	33300	10152
	2.5	14	54400	16585

¹ Values calculated at 20 °C (68 °F) using stranded tinned copper wire common ground (neutral), and with both PAN and TILT motors operating simultaneously.

ELECTROMAGNETIC COMPATIBILITY

EMC Requirements:

50 Hz Models: 89/336/EEC.

Immunity: EN50082-1.

Emission: EN50081-1 Class B.

Safety:

50 Hz Models: CE.

LVD Requirements: 73/23/EEC; EN60950.

60 Hz Models: UL & cUL.

UL: UL 2044.

cUL: CSA 22.2, No.1.

MECHANICAL

Mounting: These units are designed for either upright or inverted installations. **When mounting in an inverted position outdoors, unit must be enclosed in a weatherproof enclosure.** They can only be mounted upright or inverted; never horizontally.

Pan Range (Movement in horizontal plane):

Standard Models: 0° to 345° maximum.

Continuous Pan Models: 360° continuous rotation.

Pan Speed: 7°/sec.

Tilt (Movement in vertical plane): +30° to -90° from horizontal.

Tilt Speed: 3.5°/sec.

Maximum Load: 22lb (10kg) or 129 lb-in (149 kg-cm) torque with center of mass located 2.5 in (63.5mm) from the center of the tilt table.

Construction: Cast aluminum base and yoke, corrosion resistant plastic cover.

Finish: Light gray.

Dimensions: See **Dimensional Outline**.

Weight: 13.7 lbs (6.21 kg).

ENVIRONMENTAL

Temperature:

Operating: -22° F to +140° F (-30° C to +60° C).

Storage: -40° F to +140° F (-40° C to +60° C).

Vibration: 3 g swept sine wave, 15 Hz to 2000 Hz.

Shock: 50 g, 11 ms, 1/2 sine.

Enclosure: Tested to NEMA-3 requirements (upright mounting). IP54 Design.



mechtronics

©2003 Aigis Mechtronics

1124 Louise Road, Winston-Salem, NC 27107-5450

Tel: 336.785.7740 Fax: 336.785.7744

www.aigismech.com

Data subject to change without notice

04/04 rev_01
Printed in U.S.A.