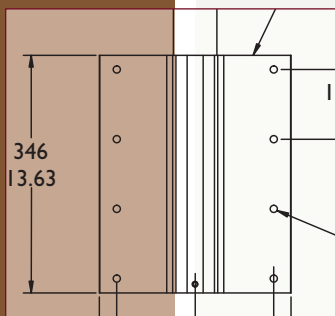
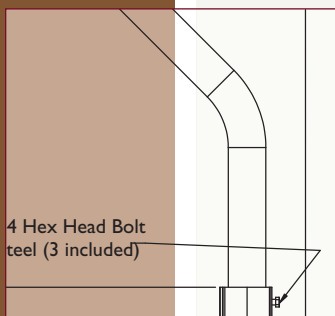
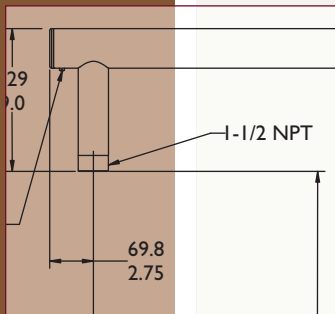




- Aluminum Parapet Mount
- Swivels to Allow Easy Positioning
- Sturdy Construction
- Attractive Appearance
- Lightweight
- Corrosion-Resistant Finish

## Parapet Mount



## MT9230

The MT9230 Parapet mount is designed to extend a camera more than 3 feet beyond a parapet wall. The MT9230 Parapet Mount accommodates products designed for standard 1-1/2 inch NPT pipe thread. The mount can be fitted on the inside or outside of parapet walls and can be swiveled 360° for easy set up and servicing. Also available is the MT9230RA Roof Mount which enables the parapet to be mounted on a flat surface.

This parapet mount can be custom made to a specified length. Call Aigis for more details.

# SPECIFICATIONS

## MECHANICAL

**Maximum Load:** 64 lb (29 kg)

Load center of gravity located in line with load attachment point.

Load attachment point uses 1-1/2 NPT (Pipe thread).

**Mounting Hardware:** Not furnished

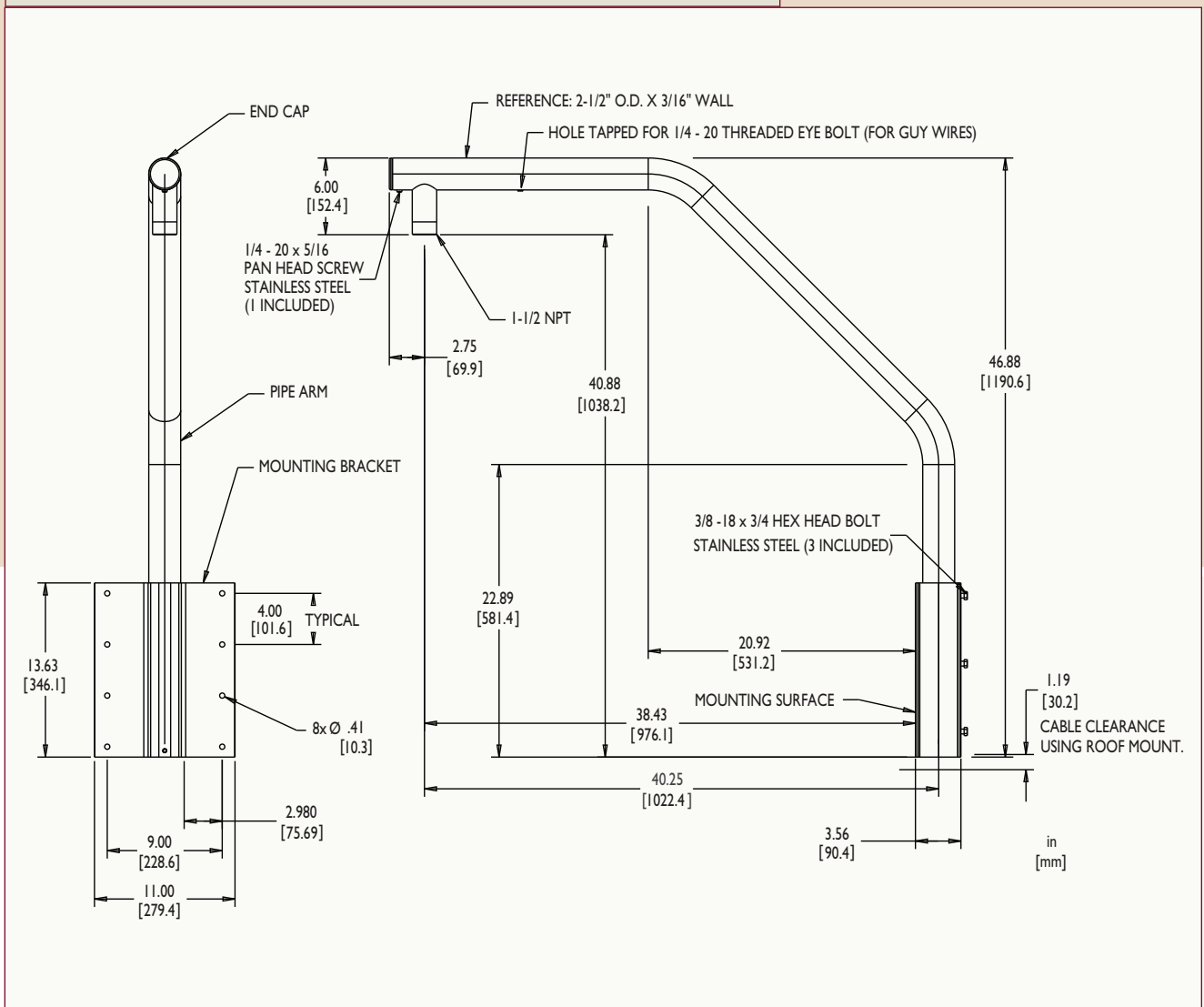
**Finish:** White

**Construction:** Aluminum

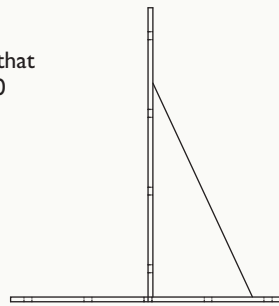
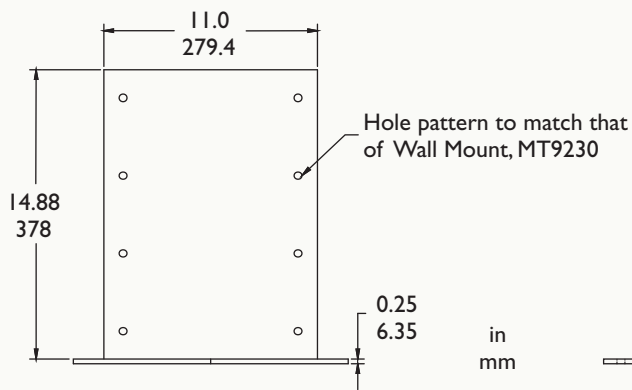
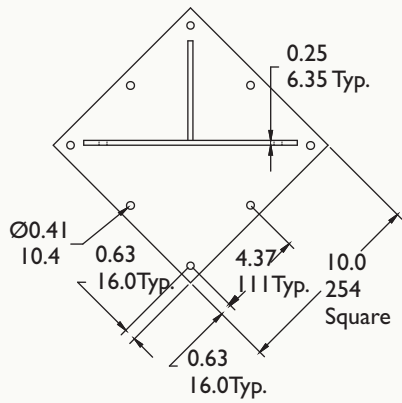
**Dimensions:** See **Dimensional Outline.**

**Weight:** 17 lb (7.7 kg).

**MT9230 - DIMENSIONAL DRAWING**



## MT9230RA - ROOF MOUNT (OPTIONAL)



## ACCESSORIES

### ROOF MOUNTS:

For mounting unit in an upright position on a flat surface.

### MT9230RA Aluminum Roof Mount Adapter



mechtronics

©2010 Aigis Mechtronics

1124 Louise Road, Winston-Salem, NC 27107-5450

Tel: 336.785.7740 Fax: 336.785.7744

[www.aigismech.com](http://www.aigismech.com)

Data subject to change without notice

01/10 rev\_02

Printed in U.S.A.