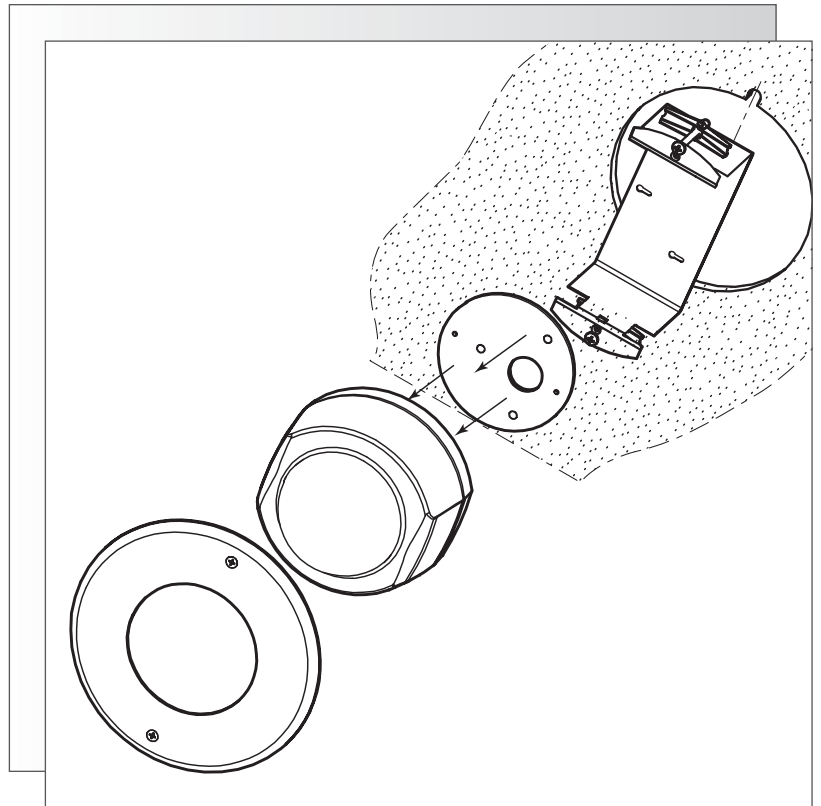


## MINILINE RECESSED MOUNT KIT



**MLR SERIES**



## **SAFETY PRECAUTIONS**

The exclamation point within an equilateral triangle is intended to alert the user to presence of important operating and maintenance (servicing) instructions in the literature accompanying the appliance.



## **SECURITE**

Le point d'exclamation à l'intérieur d'un triangle équilatéral avertit l'utilisateur de la présence d'instructions importantes d'utilisation et de maintenance dans la documentation accompagnant l'appareil.



## **SICHERHEITSVORKENHRUNGEN**

Das Ausrufezeichen in dem gleichseitigen Dreieck ist dazu da, den Benutzer auf wichtige Inbetriebnahme- und Instandhaltungsvorschriften hinzuweisen, die dem Gerät in Form einer Broschüre beigelegt sind.



## **PRECAUCIONES DE SEGURIDAD**

El símbolo de exclamación dentro de un triángulo equilátero, se muestra con el objetivo de alertar al usuario de que instrucciones de operación y mantenimiento importantes acompañan al equipo.

## **1 UNPACKING**

Unpack carefully. Check to ensure that the following items are included for the applicable modules ordered:

- MLR: Recessed Mount Kit

This kit should be used with Aigis Indoor MLP MiniLine Series products

Recessed mount kit can be mounted in the wall or ceiling.

## **2 SERVICE**

If the unit ever needs repair service, the customer should contact the nearest Aigis Mechnronics for return authorization and shipping instructions.

### 3 INSTALLATION



**ATTENTION:** Installation should be performed by qualified service personnel only, in accordance with the National Electrical Code or applicable local codes.

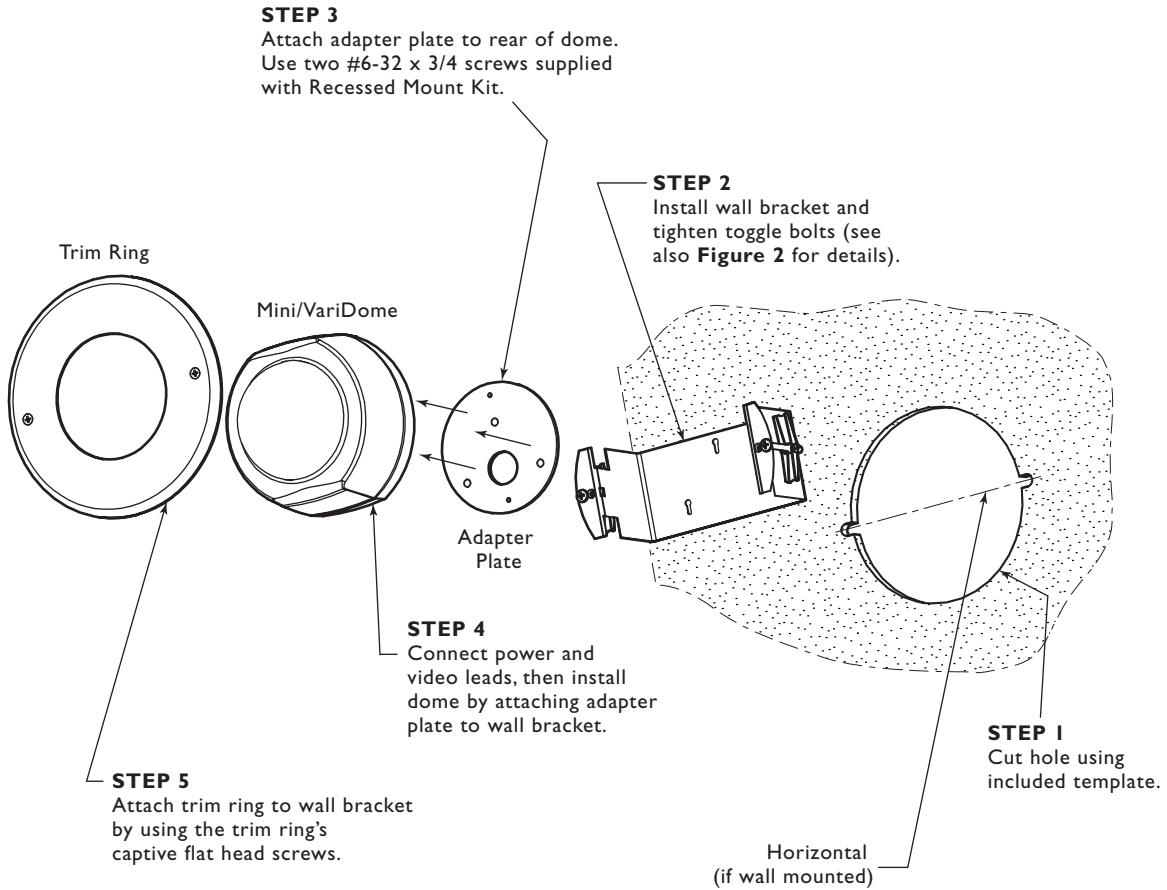


Fig 1 Installing Recessed Mount Kit

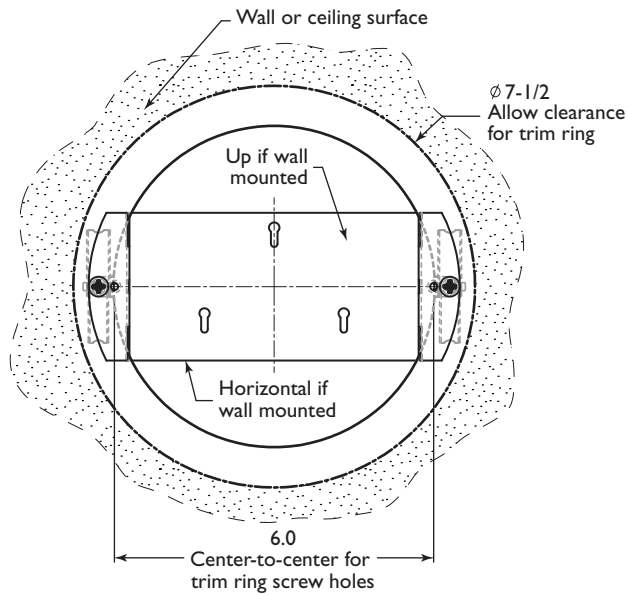


Fig 2 Mounting of Wall/Ceiling Bracket for MLR



©2002 Aigis Mechtronics

1124 Louise Road, Winston-Salem, NC 27107-5450

Tel: 336.785.7740 Fax: 336.785.7744

Data subject to change without notice

100 0039 002 AIG 02/03

Printed in U.S.A.