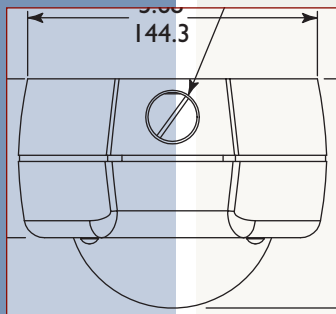
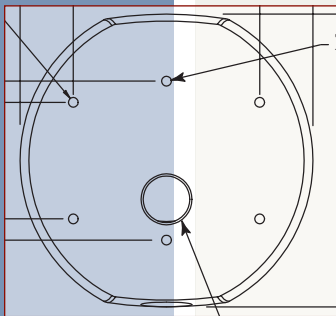
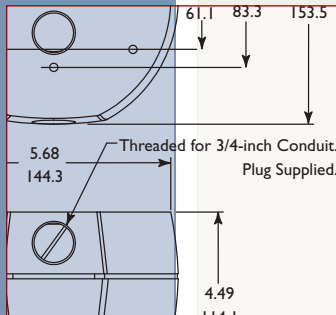




- Full-featured, Fixed Cameras in a Cast Aluminum Alloy Housing and a 4-inch (101 mm) Polycarbonate Dome
- Endures the Equivalent of 120 lbs of Force
- Fixed or Varifocal Integrated Lenses
- Indoor and Outdoor Applications
- Standard or High Resolution Models
- Line-lock with Phase Adjustment

MiniLine Vandal Resistant Aluminum Fixed and VariDomes



MLA Series

The Aigis MLA vandal resistant line of Mini and VariDomes provides the ultimate solution for most any security application. Featuring a full-featured camera/lens combination in a cast aluminum housing (with the strength of 10 gauge steel) and polycarbonate dome, these units can withstand the equivalent of 120 lbs of force and are sealed for outdoor use.

The MLA series offers a 1/4-inch standard or high resolution, color or monochrome, camera with integrated fixed or varifocal lenses. All versions accept both AC and DC voltages. If AC is employed, the user can take advantage of its line-locking and phase adjustment capabilities. Backlight compensation can also be adjusted on all models.

In addition to the above features, the MLA series cameras come ready to use. They are configured for use with a single gang electrical box and can be wired through either the side or back of the housing via a standard 3/4-inch conduit opening.

ORDERING GUIDE

Order the camera that meets your needs. Start with the product category, then specify your power requirements. Select from the options available to complete your custom camera. If you need further customization - call the factory with your exact specification requirements.

EXAMPLE: MLA1CH24F

category	power	mono/color	resolution	lens range	video out	finish
MLA	I	C	H	24	F	-
MiniLine Aluminum	1 - 24V/50Hz 2 - 24V/60Hz	C - Color M - Monochrome	S - Standard H - High	2 - 2.1mm lens 3 - 3mm lens 6 - 6mm lens 8 - 8mm lens 24 - 2-4mm lens 26 - 2-6mm lens 36 - 3-6mm lens 210 - 2.8-10mm lens	F - Fiber Optic N - Network UTP	SS - Stainless (brushed aluminum) White finish standard

SPECIFICATIONS

CAMERA SPECIFICATIONS					
		monochrome		color	
OPTION		-MS	-MH	-CS	-CH
Horizontal Resolution		380 TVL	570 TVL	330 TVL	480 TVL
Voltage Range	-1	fixed lens 12-24 VAC or 12-36 VDC, 50 Hz varifocal lens 21-27 VAC or 11-13 VDC, 50 Hz			
	-2	fixed lens 12-24 VAC or 12-36 VDC, 60 Hz varifocal lens 21-27 VAC or 11-13 VDC, 60 Hz			
Power		3W			
Sensitivity minimum scene illumination f/1.2 lens, 50 IRE		fixed lens 0.2 lux varifocal lens 0.12 lux		fixed lens 1.6 lux varifocal lens 1.2 lux	
Imager		1/4-inch Image Format; Interline Transfer CCD			
System	-1	CCIR		PAL	
	-2	EIA		NTSC	
Signal to Noise		48dB			
Electronic Shutter		1/50 (1/60 EIA) to 1/100,000			
Backlight Compensation		Selectable On/Off Control			
White Balance		N/A		Automatic Sensing through the Lens (TTL System): +2700 K to 9000 K.	
Video Output		Composite; 1.0 Vp-p, 75ohm			
Synchronization	AC	Line-lock: (AC supplied)			
	DC	Crystal-lock: (DC supplied or Line-Lock off)			
Phase Adjust		0° to 330°			
Connector	Video	BNC			
	Power	In-line push wire connectors			
Controls	Fixed	Line lock on/off; ATW/AWB hold; BLC on/off			
	Varifocal	Iris - DL/AE AGC - on/off BLC - on/off Sync mode - INT/L.L.		Iris - DL/AES Flickerless - on/off BLC - on/off Sync mode - INT/L.L.	
Options	-F	Includes fiber optic transmitter compatible with the following receivers: IFS VR2200, VR1100 and Bosch LTC 4642/60			
	-N	Includes unshielded twisted pair transmitter compatible with NVT receivers. Permits video transmission of up to 1000 ft when passive receiver is used & 3000 ft when active receiver is used.			

LENS SPECIFICATIONS

OPTION	Focal Range	Iris Range	Iris/Shutter	Format
-2	2.1mm	f/2.0	Electronic Shutter	1/4-inch
-3	3mm			
-6	6mm			
-8	8mm			
-24	2-4mm	f/1.6 - 200	DC Auto Iris	1/3-inch
-26	2.6-6mm			
-36	3-6mm			
-210	2.8-10mm	f/1.2 - 360		1/4-inch

MECHANICAL SPECIFICATIONS

Housing	Construction	Polycarbonate dome (with light tint) on custom cast aluminum housing.
	Finish	Standard: Powder coated white finish. Custom finishes available.
		-SS
Weight	0.9 lb (0.4 kg)	
Cable Entry		3/4-inch conduit knockout through side or back
Mounting	Surface Mount	Mounts on wall or ceiling using up to four #10 screws.

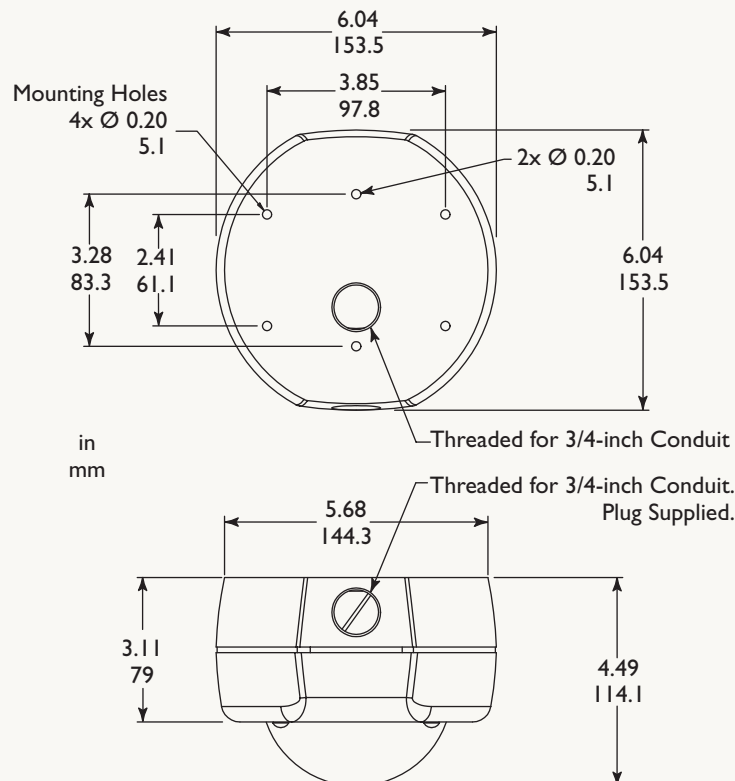
ENVIRONMENTAL

Temperature	Operating	-40 °F to +122 °F (-40 °C to +50 °C)
	Storage	-40 °F to +122 °F (-40 °C to +50 °C)
Humidity		0% to 90% relative, noncondensing.
Protection Level		IP 65.

ELECTROMAGNETIC COMPATIBILITY

Electromagnetic Compatibility	EMC	CD Immunity, FCC Class A.
	Safety	CE, UL, cUL

MLA SERIES - DIMENSIONAL DRAWING

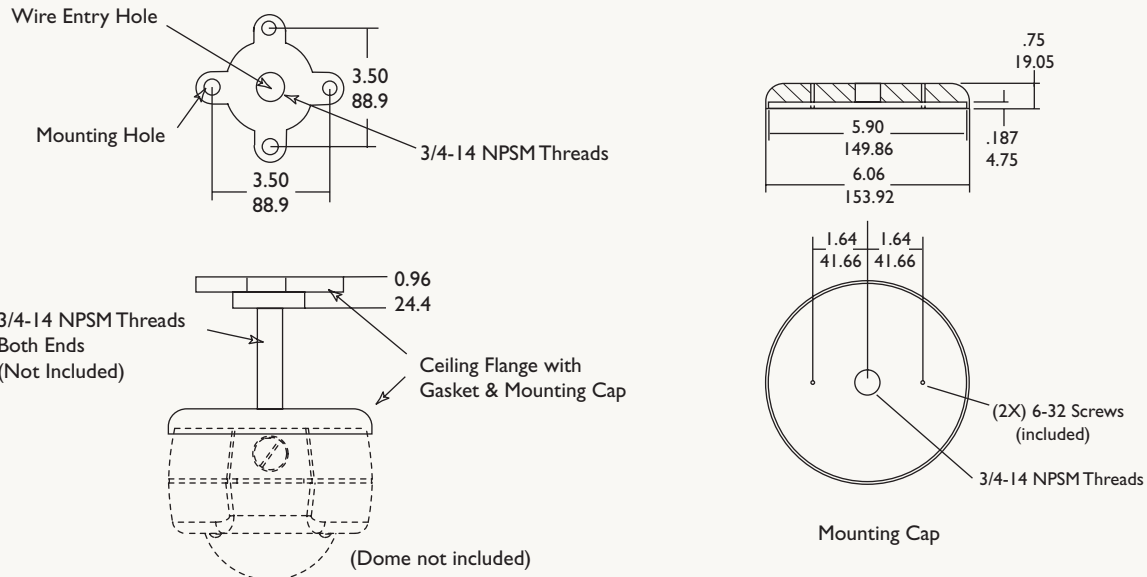


ACCESSORIES

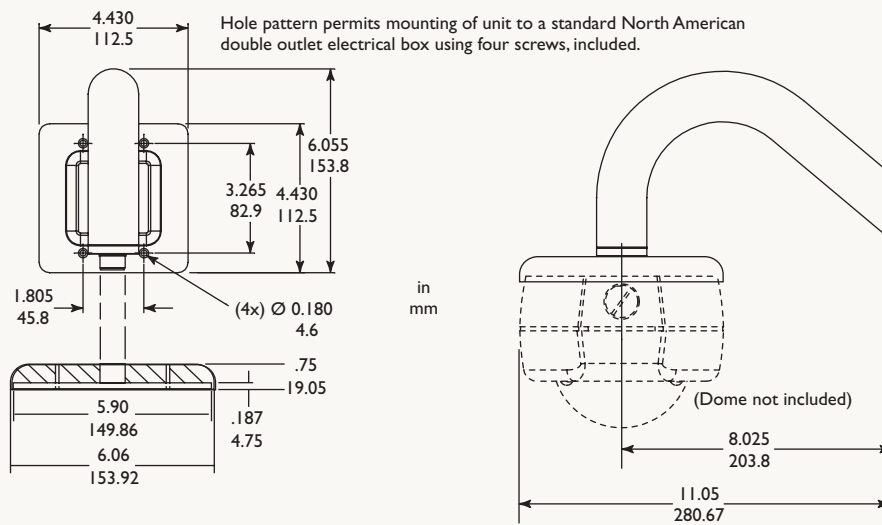
Standard color is white. Stainless steel finish and custom colors available.

Mounting Kits for MLA Series	MLAP	Pipe mounting kit. Includes ceiling flange, gasket and mounting cap with screws.
	MLAW	Wall mounting kit. Includes pendant wall mount, screws and mounting cap with screws.

MLAP - MLA PIPE MOUNT ACCESSORY



MLAW - MLA WALL MOUNT ACCESSORY



mechtronics

©2003 Aigis Mechtronics

1124 Louise Road, Winston-Salem, NC 27107-5450

Tel: 336.785.7740 Fax: 336.785.7744

www.aigismech.com

Data subject to change without notice