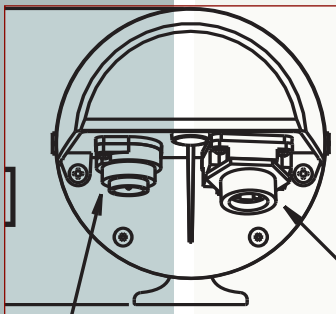
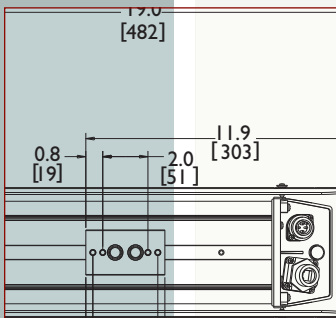
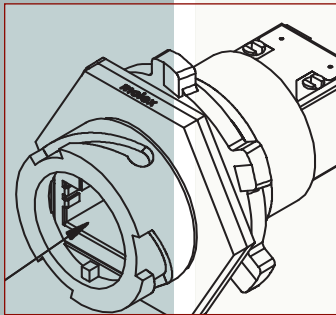




- **Quick Connect Power and/or Network in Seconds**
- **Full Camera Accessibility**
- **Aluminum and Advanced Polymer Construction**
- **Accepts many Lens and Camera Combinations**
- **Easy Installation**
- **Multiple Accessories Available**

Designer Series Housings



HS9484-IP

The HS9484-IP housings are ideal for IP cameras because of their unique, built-in external RJ-45 & external power connectors that allow for quick installation and set-up making them a perfect network solution for indoor and outdoor applications including the surveillance of buildings, roads, parking areas, garages, railway stations, and airports.

For fast installations, simply install the camera and plug in the power and network connectors. Also included is an internal Cat-5 patch cable for a quick and easy connection to the network camera. To service remove the two captive screws and slide off the cover to fully expose the camera and lens. This allows access to all camera and lens controls when the camera is in its mounted position.

Constructed of aluminum and reinforced polycarbonate, the housing provides a smooth, sleek, finished look and its industrial design ensures reliable operation in even the most demanding network installations.

Available with a preinstalled heater and blower combination the heater/blower units maintain the internal temperature of the housing in cold conditions and minimize fogging in high humidity locations, extending the temperature limits.

The base of the housing permits mounting to pan/tilts, adjustable heads, and various wall mounts.

SPECIFICATIONS

ELECTRICAL / VIDEO

MODEL No.	PREINSTALLED RJ45 CONNECTOR HEATER BLOWER / POWER CONNECTOR	VOLTAGE/ POWER V/W	USE CAMERAS WITH VOLTAGE RATINGS SHOWN
Indoor/Outdoor Units			
HS9484-IP	RJ-45 Connector	24/25	24, 115, 230
HS9484-2HBIP	RJ-45 / Heater/Blower		24
HS9484-2HBIPC	RJ45 / Heater/Blower / Power Connector		24
Add TS for housing w/pre-installed Tamper Switch. Add E for housing w/an Extended Heater. 1. The heater/blower operates at 50/60 Hz.			

MECHANICAL

Maximum Camera and Lens:		
HS9484	No Htr/Blwr	2.8 x 2.8 x 11 in (71 W x 71 H x 279 L mm)
	Heater/Blower	2.8 x 2.8 x 9 in (71 W x 71 H x 229 L mm)

Cable Entry:

Power Connection HS9484-IP and HS9484-2HBIP:

One liquid tight rear fitting, that accepts cable diameters from 0.17 in to 0.47 in (4.3 mm to 11.9 mm).

Power Connection HS9484-2HBIPC: One liquid tight external 4-pin connector that accepts cable diameters from 0.167 in to 0.375 in (4.2 mm to 9.5 mm). Mating connector is included.

Video Connections All Models:

External RJ-45 Ethernet Connector for use with Category 5e Ethernet cable. Mating plug is included. Housing also includes an internal Cat 5 patch cable for quick and easy connection to the network camera.

Window: 0.12 in (3 mm) thick UV-stabilized polycarbonate.

Housing Mounting: Four (4) available 1/4-20 tapped holes. Only one set of two is required for mounting.

Camera Mounting: Removable camera bracket. Mounted with two screws.

Construction: Aluminum cover, aluminum base, aluminum mounting foot, polycarbonate faceplate, glass reinforced polycarbonate end caps, neoprene gasket, ethylene propylene seal, and all stainless steel hardware.

Finish: Light Gray.

Dimensions: See drawings.

Weight (approx.):

HS9484 Series: 5 lb (2.3 kg).

ENVIRONMENTAL

Temperature: At external temperature of -40 °F to 122 °F (-40 °C to 50 °C) maintains internal temperatures between

-4 °F to 131°F (-20 °C and 55 °C) with heater/blower.

Extended Heater/Blower: At external temperature of -75° F to 122° F (-60°C to 50° C) maintains internal temperature between - 4° F to 131° F (- 20° C tp 55° C).

Salt Atmosphere: MIL-STD-810E, Method 509, Procedure I.

Enclosure Protection: IP65, Designed to meet NEMA 4.

ELECTROMAGNETIC COMPATIBILITY

Safety: UL, cUL, CE.

ACCESSORIES

Sunshield: Provides protection from the direct rays of sun and promotes cooling to reduce internal housing temperatures. Strongly recommended for housings to be used outdoors.

HS9484SS: For HS9484 Series housings.

-TS Tamper Switch Model: Contains a pre-installed tamper switch that is activated when cover is removed from housing. Max operating voltage - 250VAC or 28VDC / 5 amp.

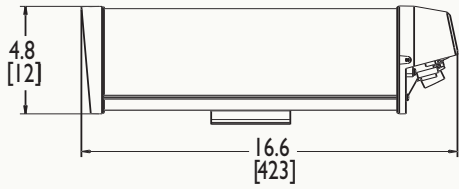
-E Extended Heater version: Houses extra heating power to extend the temperature range. Available only in the 60Hz HS9484 series.

HS9480TK Tamper Resistant Kit: Includes 10 screws and insertion tool to permit tamper resistance for five housings.

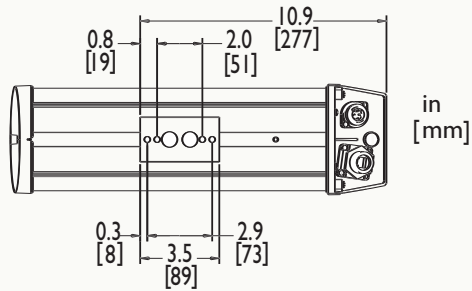
MT9215 Mount: Feed-through mount attached to the foot of housing for HS9483, HS9484 & HS9488 Series housings.

MT9219 J-mount: Feed-through J-mount allows housing to be mounted from ceiling.

HS9484-IP SERIES - DIMENSIONAL DRAWING

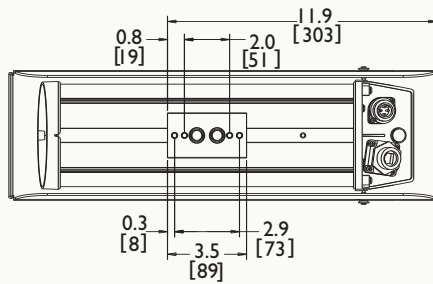
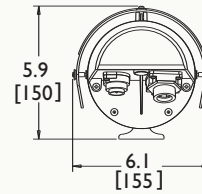
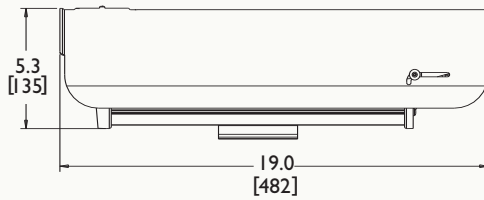


Outdoor rated 4-pin power connector for Model HS9484-2HBIPC shown.
 (Liquid tight fitting used on Models: HS9484-IP & HS9484-2HBIP)



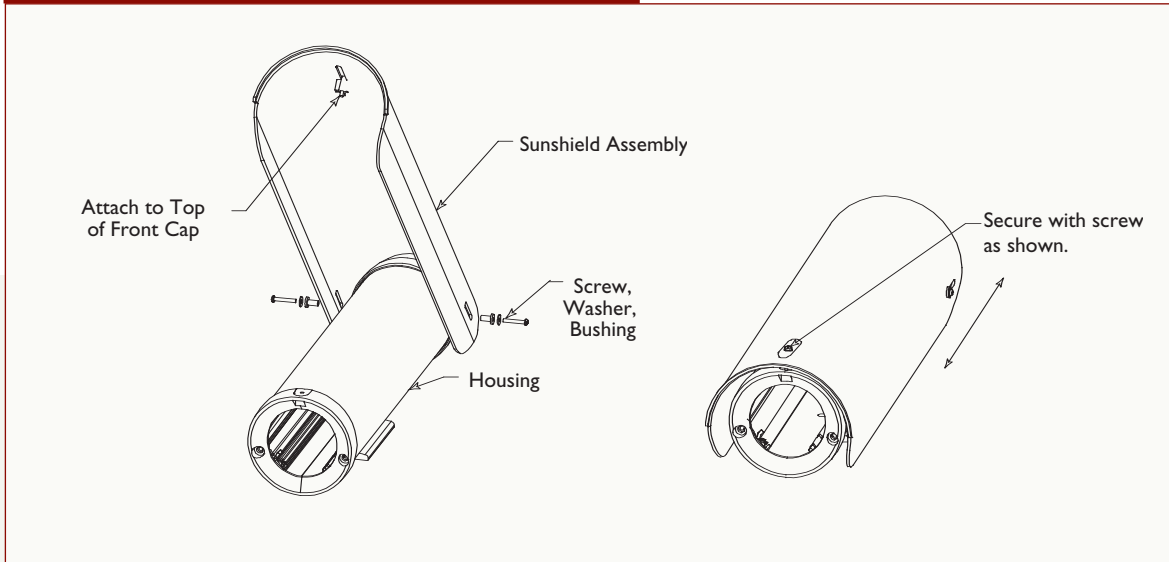
HS9484-IP SERIES WITH SUNSHIELD - DIMENSIONAL DRAWING

Model Shown:
 HS9484-2HBIPC



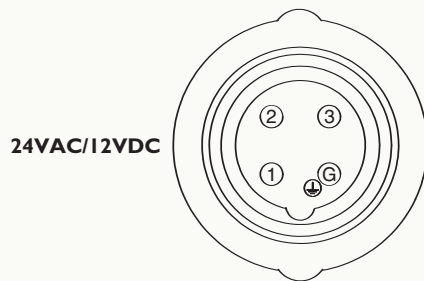
in [mm]

SUNSHIELD ACCESSORY - HS9484SS

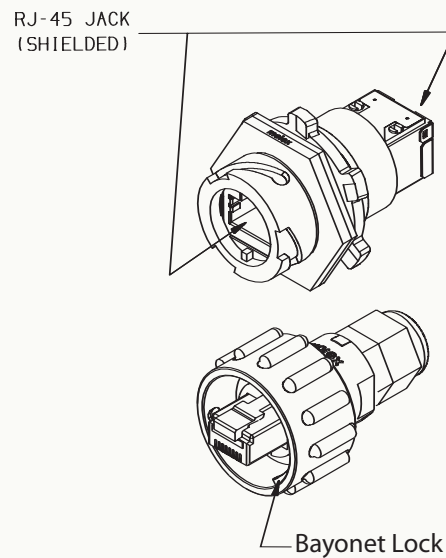


QUICK CONNECT POWER AND RJ-45 CONNECTORS

Built In External Power Connector



Built In External RJ-45 Connector



mechtronics

©2007 Aigis Mechtronics

1124 Louise Road, Winston-Salem, NC 27107-5450

Tel: 336.785.7740 Fax: 336.785.7744

www.aigismech.com

Data subject to change without notice

12/07 rev_01

Printed in U.S.A.