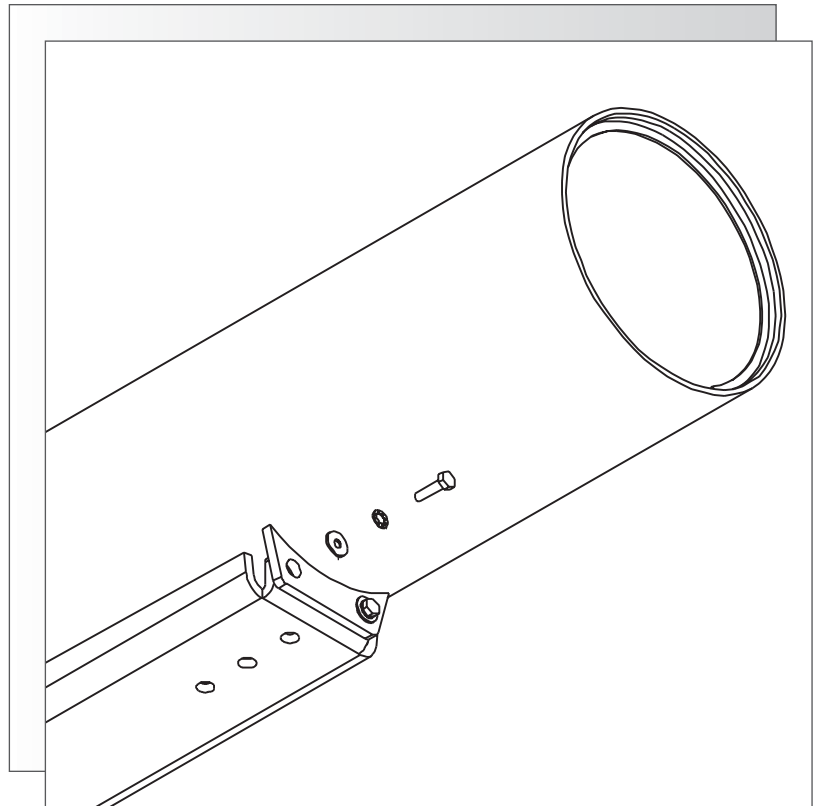


TAMPER RESISTANT KIT



HS9385TK

1 DESCRIPTION

For securing HS9385 Series outdoor camera housings. One HS9385TK Kit can secure up to five outdoor housing units.

2 INSTALLATION

Items Supplied

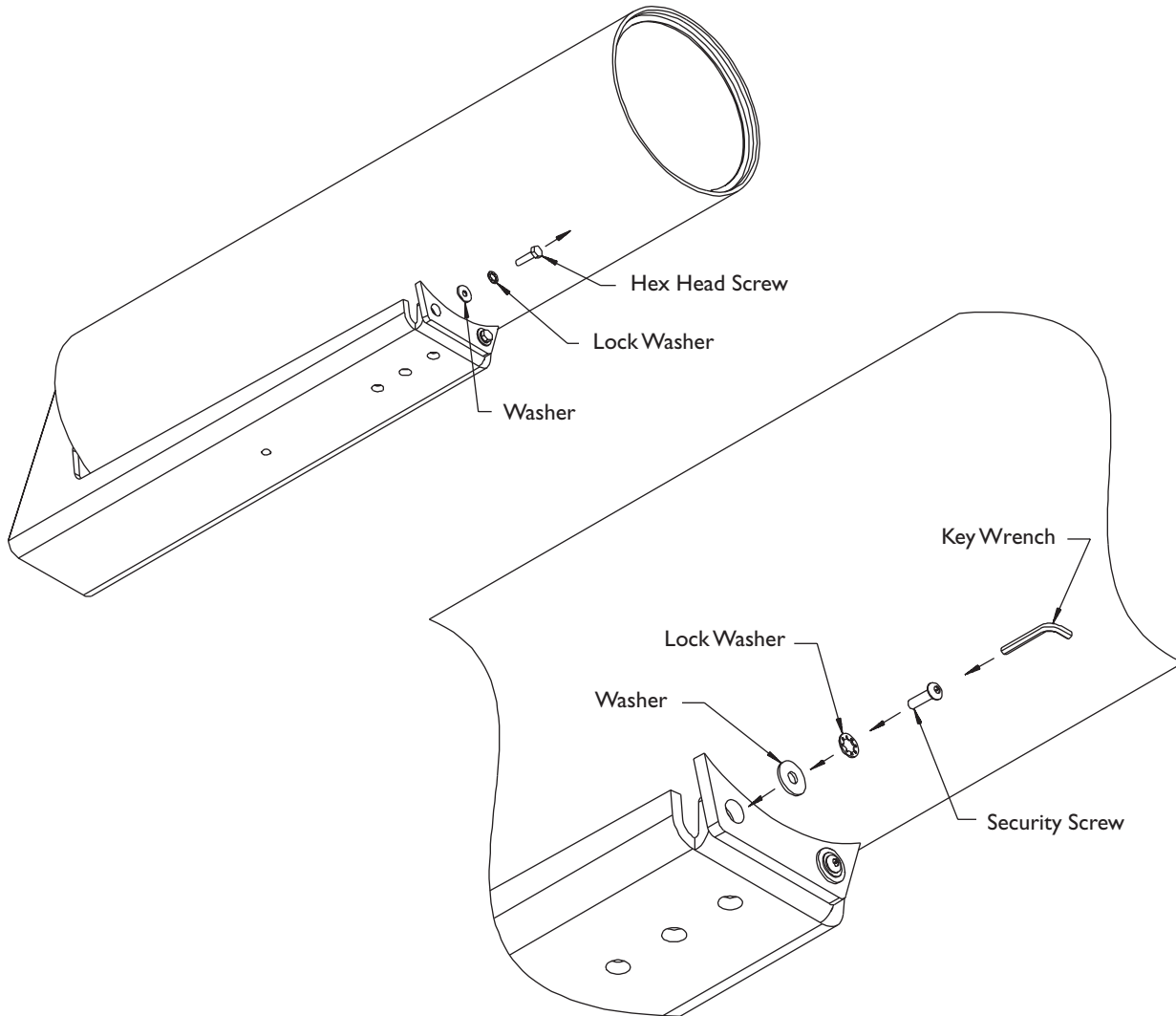
- (1) Socket Pin Head Key Wrench.
- (10) M4 x 16 mm Button/Socket-Pin Head Security Screw.

Tools Required

M7 (7 mm) wrench or socket.

Procedure

To install the Tamper Resistant Kit, first remove one of the two M4 Hex Head Screws using a M7 wrench or socket. The M4 Hex Head Screws are located in the middle of the unit. Keep the M4 washer and lock washer; they will be needed for installation of the security screws. Place the washers on the security screw lock washer first. Use the Key Wrench (supplied) to screw the security screw into place. Repeat this procedure for the other screw.



mechtronics

©2002 Aigis Mechtronics

1124 Louise Road, Winston-Salem, NC 27107-5450

Tel: 336.785.7743 Fax: 336.785.7744

100 0033 001 AIG 10/02

Printed in U.S.A.

Data subject to change without notice