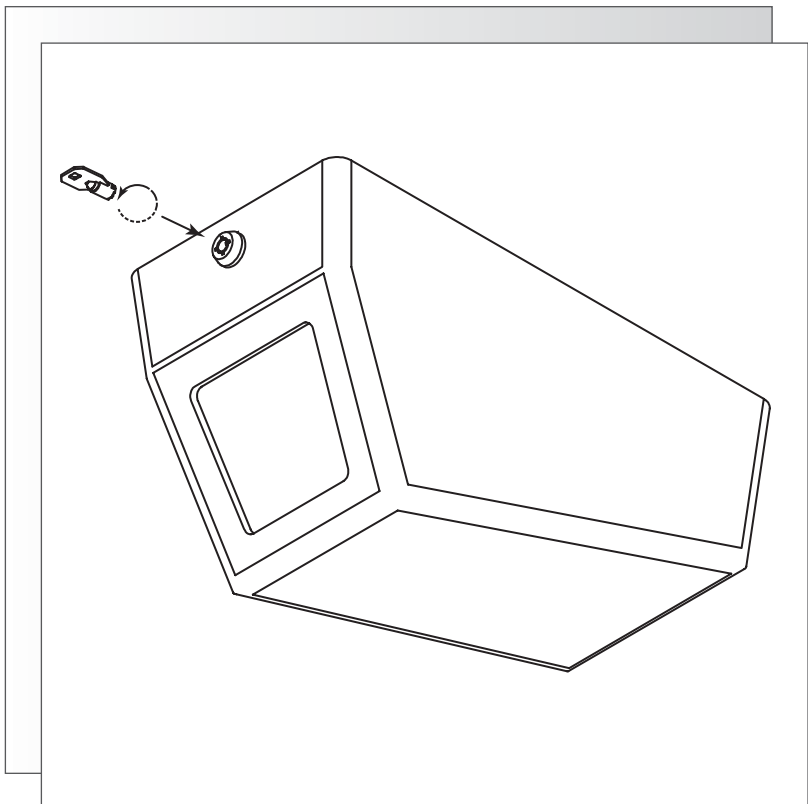


WALL/CEILING SECURITY HOUSINGS



HS9305 SERIES

IMPORTANT SAFEGUARDS

1. Read Instructions - All the safety and operating instructions should be read before the unit is operated.
2. Retain Instructions - The safety and operating instructions should be retained for future reference.
3. Heed Warnings - All warnings on the unit and in the operating instructions should be adhered to.
4. Follow Instructions - All operating and use instructions should be followed.
5. Cleaning - Unplug the unit from the outlet before cleaning. Do not use liquid cleaners or aerosol cleaners. Use a damp cloth for cleaning.
6. Attachments - Do not use attachments not recommended by the product manufacturer as they may cause hazards.
7. Accessories - Do not place this unit on an unstable stand, tripod, bracket, or mount. The unit may fall, causing serious injury to a person and serious damage to the unit. Use only with a stand, tripod, bracket, or mount recommended by the manufacturer or sold with the product. Any mounting of the unit should follow the manufacturer's instructions and should use a mounting accessory recommended by the manufacturer.

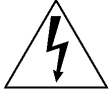



An appliance and cart combination should be moved with care. Quick stops, excessive force, and uneven surfaces may cause the appliance and cart combination to overturn.

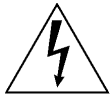
8. Ventilation - Openings in the enclosure, if any, are provided for ventilation, to ensure reliable operation of the unit, and to protect it from overheating. These openings must not be blocked or covered. This unit should not be placed in a built-in installation unless proper ventilation is provided or the manufacturer's instructions have been adhered to.
9. Power Sources - This unit should be operated only from the type of power source indicated on the marking label. If you are not sure of the type of power supply you plan to use, consult your dealer or local power company. For units intended to operate from battery power or other sources, refer to the operating instructions. This equipment is to be isolated from the mains supply by a limited power source as specified in EN60950:1992 Clause 2.11.
10. Grounding or Polarization - This unit may be equipped with a polarized alternating-current line plug (a plug having one blade wider than the other). This plug will fit into the power outlet only one way. This is a safety feature. If you are unable to insert the plug fully into the outlet, try reversing the plug. If the plug should still fail to fit, contact your electrician to replace your obsolete outlet. Do not defeat the safety purpose of the polarized plug.
Alternately, this unit may be equipped with a 3-wire grounding-type plug, a plug having a third (grounding) pin. This plug will only fit into a grounding-type power outlet. This is a safety feature. If you are unable to insert the plug into the outlet, contact your electrician to replace your obsolete outlet. Do not defeat the safety purpose of the grounding-type plug.
11. Power Cord Protection - Power supply cords should be routed so that they are not likely to be walked on or pinched by items placed upon or against them, paying particular attention to cords and plugs, convenience receptacles, and the point where they exit from the appliance.

12. Power Lines - An outdoor system should not be located in the vicinity of overhead power lines or other electric light or power circuits or where it can fall into such power lines or circuits. When installing an outdoor system, extreme care should be taken to keep from touching such power lines or circuits as contact with them might be fatal. U.S.A. models only - refer to the National Electrical Code Article 820 regarding installation of CATV systems.
13. Overloading - Do not overload outlets and extension cords as this can result in a risk of fire or electric shock.
14. Object and Liquid Entry - Never push objects of any kind into this unit through openings, as they may touch dangerous voltage points or short out parts that could result in a fire or electric shock. Never spill liquid of any kind on the unit.
15. Servicing - Do not attempt to service this unit yourself as opening or removing covers may expose you to dangerous voltage or other hazards. Refer all servicing to qualified service personnel.
16. Damage Requiring Service - Unplug the unit from the outlet and refer servicing to qualified service personnel under the following conditions:
 - a. When the power supply cord or plug is damaged.
 - b. If liquid has been spilled or objects have fallen into the unit.
 - c. If the unit has been exposed to water and/or inclement weather (rain, snow, etc.).
 - d. If the unit does not operate normally by following the operating instructions. Adjust only those controls that are covered by the operating instructions, as an improper adjustment of other controls may result in damage and will often require extensive work by a qualified technician to restore the unit to its normal operation.
 - e. If the unit has been dropped or the cabinet has been damaged.
 - f. When the unit exhibits a distinct change in performance--this indicates a need for service.
17. Replacement Parts - When replacement parts are required, be sure the service technician has used replacement parts specified by the manufacturer or have the same characteristics as the original part. Unauthorized substitutions may result in fire, electric shock, or other hazards.
18. Safety Check - Upon completion of any service or repairs to this unit, ask the service technician to perform safety checks to determine that the unit is in proper operating condition.
19. Coax Grounding - If an outside cable system is connected to the unit, be sure the cable system is grounded. U.S.A. models only--Section 810 of the National Electrical Code, ANSI/NFPA No.70-1981, provides information with respect to proper grounding of the mount and supporting structure, grounding of the coax to a discharge unit, size of grounding conductors, location of discharge unit, connection to grounding electrodes, and requirements for the grounding electrode.
20. Lightning - For added protection of this unit during a lightning storm, or when it is left unattended and unused for long periods of time, unplug it from the wall outlet and disconnect the cable system. This will prevent damage to the unit due to lightning and power line surges.

SAFETY PRECAUTIONS

	CAUTION RISK OF ELECTRIC SHOCK. DO NOT OPEN!	
<p>CAUTION: TO REDUCE THE RISK OF ELECTRICAL SHOCK, DO NOT OPEN COVERS. NO USER SERVICE-ABLE PARTS INSIDE. REFER SERVICING TO QUALIFIED SERVICE PERSONNEL.</p>		

This label may appear on the bottom of the unit due to space limitations.

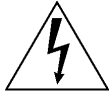



The lightning flash with an arrowhead symbol within an equilateral triangle is intended to alert the user to the presence of uninsulated "dangerous voltage" within the product's enclosure that may be of sufficient magnitude to constitute a risk of electric shock to persons.



The exclamation point within an equilateral triangle is intended to alert the user to presence of important operating and maintenance (servicing) instructions in the literature accompanying the appliance.

SECURITE

	ATTENTION RISQUE D'ÉLECTROCUTION. NE PAS OUVRIR	
<p>Danger: Pour éviter tout risque d'électrocution, ne pas ouvrir le boîtier. Il n'y a pas de pièces remplaçables à l'intérieur. Pour toute révision, s'adresser à un technicien spécialisé.</p>		

En raison de limitation de place, cette étiquette peut être placée sur le dessous de l'appareil.

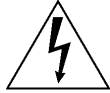



L'éclair fléché dans un triangle équilatéral, avertit l'utilisateur de la présence d'une "tension dangereuse" non isolée à l'intérieur de l'appareil et d'une valeur suffisante pour constituer un risque d'électrocution.

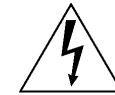


Le point d'exclamation contenu dans un triangle équilatéral, avertit l'utilisateur de la présence, dans la documentation qui accompagne l'appareil, de consignes d'utilisation et de maintenance importantes.

SICHERHEITSVORKEHRUNGEN

	VORSICHT STROMSCHLAGEFAHR! BITTE NICHT ÖFFNEN!	
<p>VORSICHT: UM EINEN ELEKTRISCHEN SCHLAG ZU VERMEIDEN, ABDECKUNG NICHT ENTFERNEN. WARTUNGEN ALLER ART QUALIFIZIERTEM PERSONAL ÜBERLASSEN.</p>		

Aus Platzgründen kann diese Warnung auf der Unterseite des Gerätes angebracht sein.





Das Blitzsymbol im gleichseitigen Dreieck soll den Benutzer auf nicht isolierte "Hochspannung" im Gehäuse aufmerksam machen, die eventuell stark genug ist, um einen elektrischen Schlag zu verursachen.



Das Ausrufezeichen im gleichseitigen Dreieck soll den Benutzer auf wichtige Bedienungs- und Wartungsanleitungen in der dem Gerät beigelegten Literatur aufmerksam machen.

PRECAUCIONES DE SEGURIDAD

	PRECAUCION RIESGO DE CHOQUE ELECTRICO. ¡NO ABRIR!	
<p>Precaucion: Para Reducir El Riesgo De Choque Eléctrico, Favor No Abrir La Cubierta. Este Equipo No Consta De Piezas O Partes Que Requieren Servicio O Mantenimiento. Para Reparaciones Favor Referirse A Un Técnico Calificado.</p>		

Debido a limitaciones de espacio, esta etiqueta puede aparecer en la parte inferior de la unidad.



El símbolo representado por un relámpago con punta de flecha dentro de un triángulo equilátero, se muestra con el objetivo de alertar al usuario que existen "voltajes peligrosos" sin aislamiento, dentro de la cubierta de la unidad. Dichos voltajes pueden ser de tal magnitud que constituyen un riesgo de choque eléctrico a personas.



El símbolo de exclamación dentro de un triángulo equilátero, se muestra con el objetivo de alertar al usuario de que instrucciones de operación y mantenimiento importantes acompañan al equipo.

HS9305 Series Wall/Ceiling Security Housings

CONTENTS

1	UNPACKING	4
2	SERVICE	4
3	CARE AND MAINTENANCE	4
4	DESCRIPTION/MODELS	4
4.1	Models	4
5	INSTALLATION	5
5.1	Disassembly	5
5.2	Mounting the Unit	5
5.3	Camera/Lens Installation	6
5.4	Final Assembly	7
6	Replacement Parts/Accessories	7
6.1	Replacement Parts	7
6.2	Accessories	7

1 UNPACKING

Unpack carefully. This is electromechanical equipment and should be handled with care.

Check for the following:

- Housing (with correct model number).
- Installation Instructions (this manual).

If an item appears to have been damaged in shipment, replace it properly in its carton and notify the shipper. If any items are missing, notify Aigis Mechtronics.

The shipping carton is the safest container in which the unit may be transported. Save it for possible future use.

2 SERVICE

If the unit ever needs repair service, the customer should contact Aigis Mechtronics for return authorization and shipping instructions.

3 CARE AND MAINTENANCE

There are no moving parts in this unit. Regularly scheduled maintenance will help prolong the operation life of this unit. Clean the viewing window as needed with a mild, nonabrasive detergent in water and a soft cloth.

4 DESCRIPTION/MODELS

The lightweight cast aluminum design of the HS9305 Series housings provides the strength of 12 gage steel with the superior strength-to-weight ratio of aluminum. The removable cover provides access to the camera and is secured using a tamper-resistant screw. A special tool is provided for screw removal.

These housings are designed to be mounted on the ceiling, on the wall horizontally, or on the wall vertically.

The HS9305 Series housings accept 1/3-inch and 1/2-inch format CCD cameras with fixed format lenses and up to 6x zoom lenses.

4.1 Models

Model No.	Feature
HS9305	Clear 9.5 mm (0.37 in) viewing window
HS9305L	Key lock
HS9305T	Tinted 9.5 mm (0.37 in) viewing window
HS9305W	Clear 12.7 mm (0.5 in) viewing window
HS9305LT	Key lock and tinted 9.5 mm (0.37 in) viewing window
HS9305LW	Key lock and clear 12.7 mm (0.5 in) viewing window

5 INSTALLATION

This installation should be made by qualified service personnel and conform to the National Electrical Code and applicable local codes.

5.1 Disassembly

1. Remove the hardware kit from the outside of the housing. The hardware kit should contain the following items:
 - (1) ¼-20 Button-head Flange Screw
 - (1) Tamper-resistant Tool (basic models only)
 - (1) Alternate Camera Bracket
 - (1) Key (locking models only)
2. **All Models:** Use the special tool provided to unscrew the front two tamper-resistant screws, or use the key provided to unscrew the lock. See **Figure 1**.

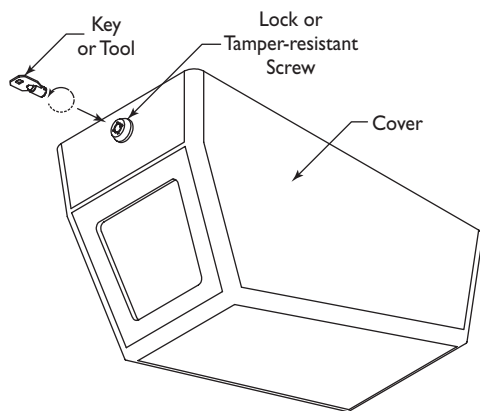


Figure 1 Unscrewing the Cover

3. Remove the cover by grasping it and pulling forward and down. See **Figure 2**.

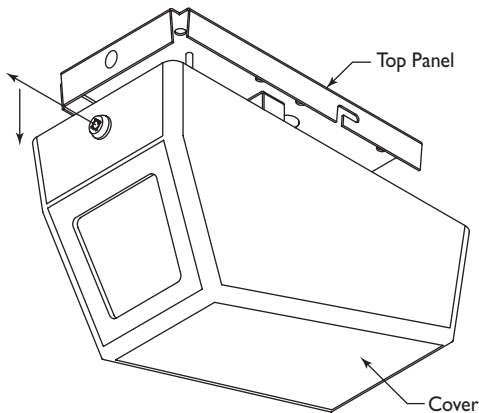


Figure 2 Removing the Cover

4. Unscrew the flange nut and remove the camera mounting system from the top panel. See **Figure 3**.

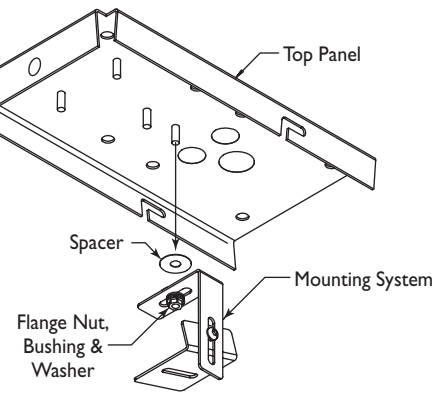


Figure 3 Removing the Mount System

NOTE: Do not lose these parts. They will be needed in reassembly.

5.2 Mounting the Unit

1. Position the top panel on the ceiling or the wall horizontally or vertically, depending on installation requirements. See **Figures 4 and 5**.

NOTE: A smooth, square surface is ideal for proper installation.

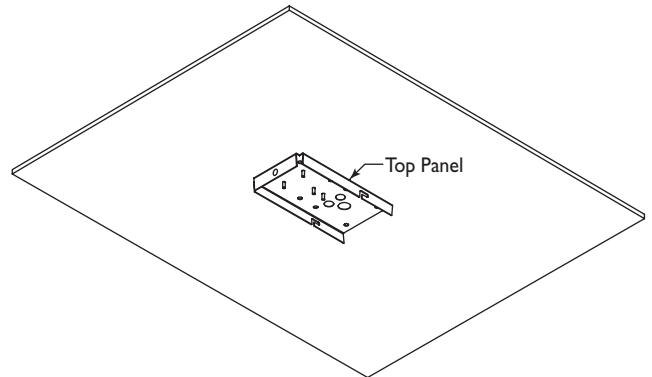


Figure 4 Positioning Top Panel on Ceiling

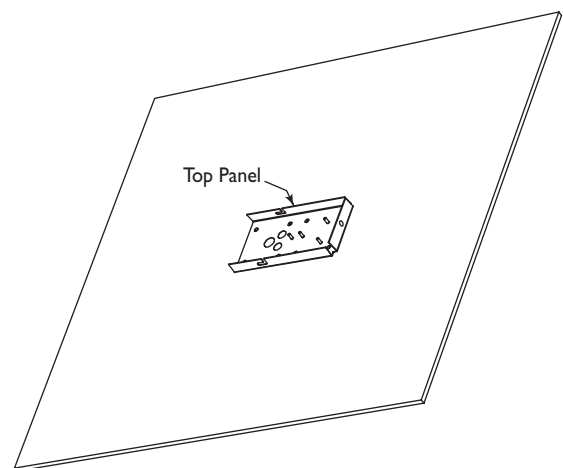


Figure 5 Positioning Top Panel on Wall

2. Mark the wall for bolt anchor holes. At least six (6) 8-mm ($\frac{5}{16}$ -in) bolts will be needed.
3. Drill the holes.
4. Decide how wiring will be routed into the housing. If needed, remove the appropriate knockout. Two PG 13.5 ($\frac{1}{2}$ -inch) and one PG 21 ($\frac{3}{4}$ -inch) are provided. See **Figure 6**.

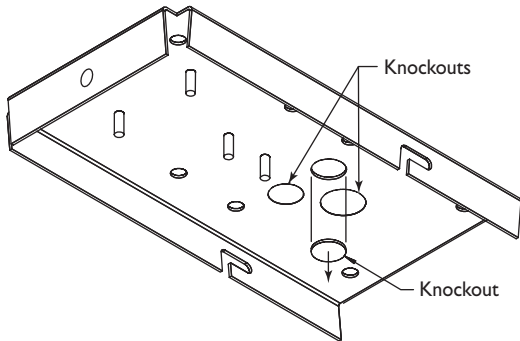


Figure 6 Knockouts

5. Mount the top panel by installing the anchor bolts. See **Figure 7**.

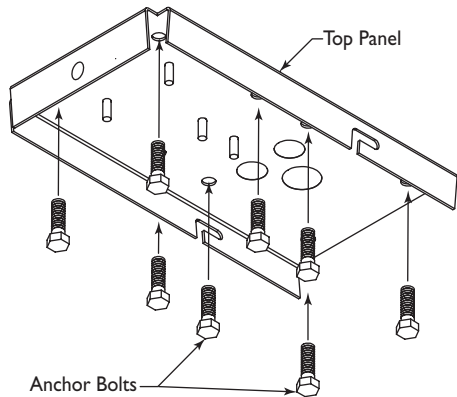


Figure 7 Mounting Top Panel

5.3 Camera/Lens Installation

1. If the installation requires the unit to be mounted horizontally on a wall, remove the camera bracket from the mounting system and attach the alternate camera bracket provided in the hardware kit. See **Figure 8**.

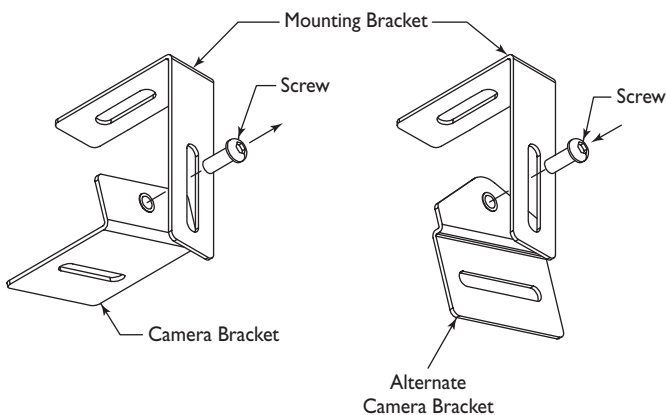


Figure 8 Alternate Camera Mount

2. Reattach the camera mounting system to the top panel using the 6-mm flange nut, nylon bushing, $\frac{5}{16}$ -in washer, and nylon spacer. Use either stud provided, depending on the camera size and mounting configuration. See **Figures 9 and 10**.

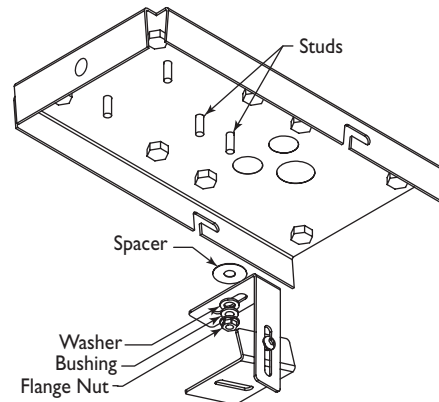


Figure 9 Securing the Mount System

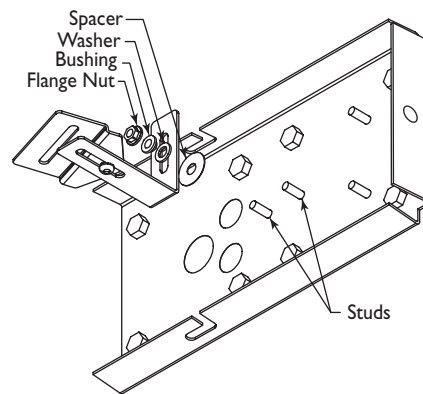


Figure 10 Securing the Mount System

3. Secure the camera to the camera mount using one $\frac{1}{4}$ -20 x $\frac{1}{2}$ -inch button-head flange screw. See **Figures 11, 12, and 13**.

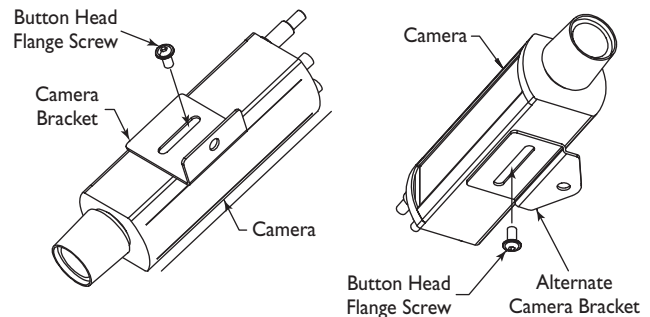


Figure 11 Camera Mounts

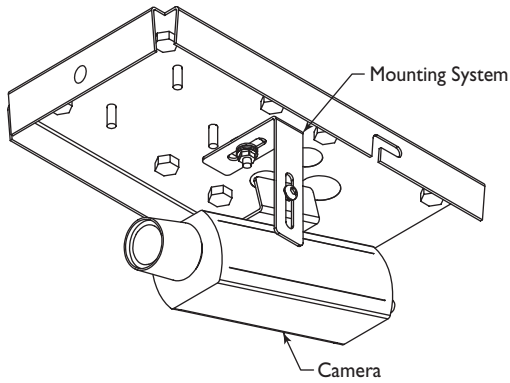


Figure 12 Camera and Mount System

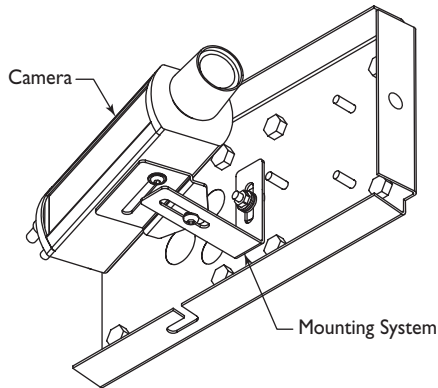


Figure 13 Camera and Mount System

5.4 Final Assembly

1. Mount the cover by aligning the studs with the slots on the top panel and pushing up and back. See **Figure 14**.

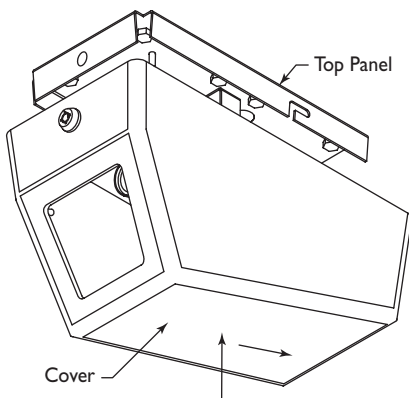


Figure 14: Replacing the Cover

2. If necessary, remove cover to make any final adjustments to the camera and camera mounting system. Replace cover. Camera/lens should be positioned as close to the viewing window as possible.

3. **All Models:** Secure the cover by screwing the tamper-resistant screw or the lock down tight to the cover. See **Figure 15**.

NOTE: Retain the special tool or key for future use.

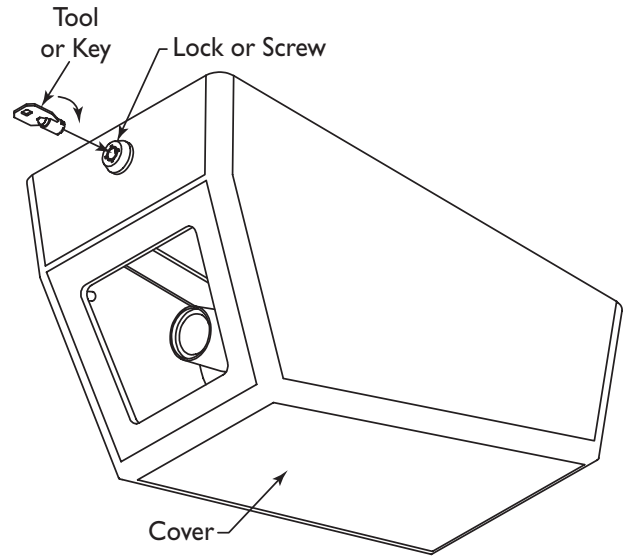


Figure 15: Securing the Cover

6 REPLACEMENT PARTS & ACCESSORIES

6.1 Replacement Parts

Part No.	Description
315 2250 004	Key Hardware Kit (locking models only)
315 2250 005	Tamper-resistant Tool (basic models only) Hardware Kit

6.2 Accessories

Defogger kits are recommended for use in areas where condensation could cause fogging of the viewing window.

Model	Description
HS9315-6	115 VAC, 50/60 Hz, 50 W thermostatically controlled defogger kit
HS9315-2	24 VAC, 50/60 Hz, 50 W thermostatically controlled defogger kit
HS9315-5	230 VAC, 50/60 Hz, 50 W thermostatically controlled defogger kit

Do Not Exceed 30 VAC Input on 24 VAC models. Operation above 30 VAC violates low voltage operation (Class 2 Specifications). Normal operation is 24 VAC.

Maximum Camera/Lens Size: Housing accepts camera/lens combinations up to 300 L x 64 W x 54 H mm (11.8 x 2.5 x 2.1 in).



mechtronics

©2002 Aigis Mechtronics

1124 Louise Road, Winston-Salem, NC 27107-5450

Tel: 336.785.7740 Fax: 336.785.7744

Data subject to change without notice

100 0019 001 AIG 10/02

Printed in U.S.A.