

- High Resolution 540TVL
- 3-Axis bracket allows 3D Adjustment (Pan, Tilt, and Horizontal)
- DC Auto-Iris, Vari-focal Lens



D3 Series

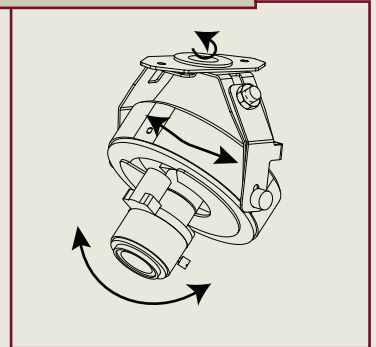
3-Inch Vandal Resistant Metal Domes

The D3 Series indoor domes offer high quality performance in an industrial enclosure at economical price points.

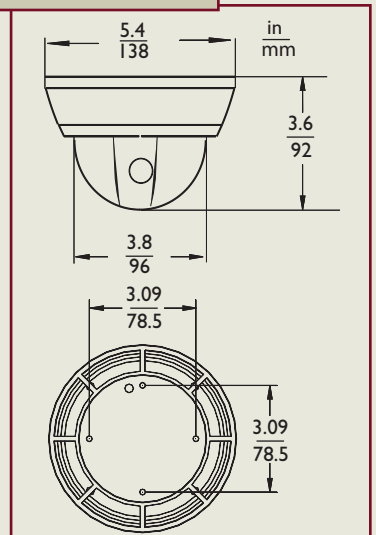
S P E C I F I C A T I O N S

Camera Type	Color Hi-Res D3CH211	Wide Dynamic D3WD211
Image Sensor	1/3" Sony Super HAD CCD	1/3" Pixim DPS Sensor
Signal System	NTSC	
Effective Pixels	768 (H) x 494 (V)	720 (H) x 480 (V)
Resolution	540TVL	
Mimimum Illumin	0.1Lux/F1.2	0.5Lux/F1.2;0.08
Dynamic Range	n/a	101dB Typ., 120dB Max
S/N Ratio	>48dB	>50dB
Control Method	n/a	OSD
Electronic Shutter	1/60 - 1/100,000 sec	Auto
White Balance	Auto	ATW/AWB/Manual/ATW Extend
AGC	Auto	
BLC	Auto	
Gamma Correction	0.45	
Lens	2.8-11mm Auto-Iris	
Power Supply	24VAC	
Operating Temperature	-10°C ~ +50°C (+14°F ~ +122°F), 90% RH Max	

3-AXIS BRACKET
(PAN, TILT, HORIZONTAL)



DIMENSIONAL OUTLINES



ACCESSORIES

- Conduit entry base plate
 - Corner Mount Bracket
- Note: Corner wire molding (silver) available



mechtronics

©2010 Aigis Mechtronics

1124 Louise Road, Winston-Salem, NC 27107-5450

Tel: 336.785.7740 Fax: 336.785.7744

www.aigismech.com

Data subject to change without notice

01/10 rev_01
Printed in U.S.A.